

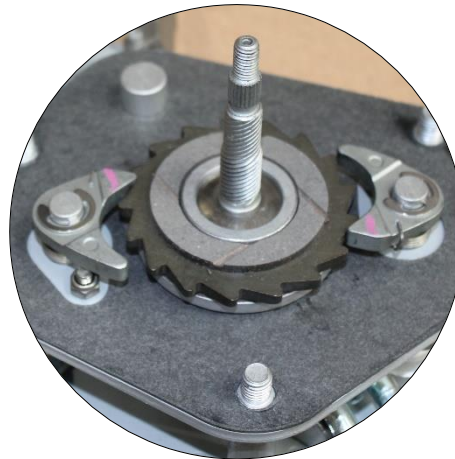
**New for 2019**

## Tiger Subsea Lever Hoist

Model No. SS19



With load limiter and unique torsion brake



Patented Quad Cam Pawl System



### Main Features

- Suitable for use in multi-immersion applications
- DNV GL Verification tested according to NORSOK R-002
- 800kg, 1.6t, 3.2t, 6.3t, 10.0t, 15.0t and 20.0t capacities available
- Globally Patented Quad Cam Pawl System – proven reliability
- Thousands of hours of empirical evidence as proof of design
- DU® self-lubricating metal polymer bearings
- Phosphor bronze bearings
- Equipped with our unique intelligent Torsion Brake System
- One-piece construction pinion gear
- Meets and exceeds IMCA DO28 Rev 1 guidance notes for offshore lever hoists
- Light load protection at 2% of the rated capacity
- Adaptable to use both inverted and horizontally
- Full face gasket provides brake chamber protection from outside contamination
- Fully Corrosion protected body and components to ensure reliable long-term use
- Over 1500 hours protection to ASTM B117 conditions
- Adjustable chain end anchorage specifically designed to the contours of the hoist
- Available with slipping clutch overload protection



The SS19 has been designed and developed over a number of years for use primarily in subsea, offshore or corrosive environments. The unique design features listed below give it significant safety advantages over standard lever hoists. This makes the SS19 subsea lever hoist the ideal tool for all marine and extreme applications.

Developed initially with the goal of giving key stakeholders within the Oil and Gas Industry a hoist that could be certified for safe use subsea whilst meeting all the requirements of IMCA DO28 Rev. 1 "Guidance notes for offshore lever hoists", the SS19 meets and exceeds these requirements, as well as other industry client specifications whilst conforming to standards such as BS EN 13157: 2004+A1:2009, ANSI/ASME B30.21-2005, AS1418.2\* and SANS 1636. Tiger Hoists fitted with overload limiters comply fully with NORSOK R-002.

\* When fitted with load bearing swivel hooks, Tiger hoists comply fully with AS 1418.2

The SS19 includes our unique rotational inertia driven torsion switch brake and freewheeling system. This brake system was designed by our research and design team to counter known failure modes in commonly used and copied longitudinal "push-pull" mechanisms or traditional style "Weston" type brake systems used on alternative lever hoists which allow easy ingress of foreign particles into the mechanism that could affect hoist operation. This Tiger brake system is now a proven design with many thousands of hours of empirical evidence as proof of design and efficiency. This design removes the need for inefficient old style longitudinal disengagement methods of pulling the brake system apart to facilitate freewheeling. This highly efficient method of operating is not only safer but easier for the operator whilst measurably increasing the brake take up efficiency rate.

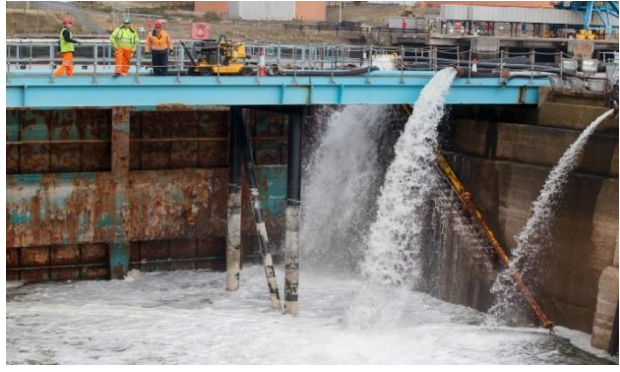
With over 50 years of professional manufacturing experience, Tiger's commitment to innovation and customer satisfaction mean we will continue to develop and improve our products by communicating and working with our customers. The SS19 range of lever hoists incorporates our latest developments and enhancements.

**Environmental Testing and Multi-Immersion:**

After successfully completing a series of third party verification and testing programmes to beyond established international standards, our latest being a multi-immersion programme of tests over 54 days independently carried out and verified at ORE Catapult in the UK (a leading technology innovation and research centre for offshore renewable energy), we can state that the SS19 range of lever hoists is suitable for use in multi-immersion applications providing the timescales, pre-use testing, maintenance and service requirements as detailed in Tiger document Multi-Immersion Instruction Manual are strictly followed.



We used a subsea dock including a replica seabed



Saltwater was pumped in from the Blyth Estuary (North Sea)

This takes our testing far beyond the requirements of ASTM B117 environmental conditions with the SS19 range having over 1300 hours continuous exposure to an industry generated test programme in a real life offshore and subsea environment. We have also carried out intensive internal testing on components to ensure we achieved over 1500 hours protection to ASTM B117 conditions. This ensures the performance of the SS19 has been fully challenged in natural environments similar to the conditions it will be exposed to.





# Tiger Lifting



[www.tigerlifting.com](http://www.tigerlifting.com)

**Tiger**

Home of the Tiger hoisting, winching and height safety ranges

### Certification:

Each unit comes fully certified with a test certificate or an EC Declaration of Conformity stating compliance with the essential health and safety requirements of the Machinery Directive 2006/42/EC. This document clearly states the proof test at 1.5 times the rated capacity and the light load test of 2% of the rated capacity, which exceeds the requirements of the current applicable standard.

### Safety Brake:

Our unique rotational inertia driven torsion switch brake and freewheeling system automatically engages when the lever hoist feels the slightest resistance or load meaning there is no requirement for preload tension to activate the ratchet mechanism. This key feature means that the SS19 will raise, hold and lower the lightest of loads without slipping. The two stage process protects against accidental light load failures by putting the hoist into neutral whilst under load. (To achieve complete neutral the switch gear must be aligned which is impossible to do whilst under load.) This highly efficient method of operating is not only safer but easier for the operator whilst measurably increasing the brake take up efficiency rate.

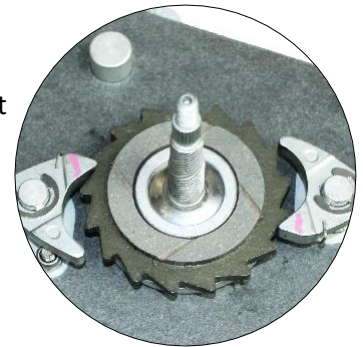


### Light Load Protection:

The unique brake system designed for the SS19 guarantees a light load protection at 2% of the rated capacity.

### Patent Protected Quad Cam Brake Pawl System:

Our patented Quad Cam Pawl System guarantees permanent engagement of at least one of the two reciprocating cam pawls fitted to the SS19, ensuring the pawl only just clears the ratchet wheel, with the minimum of clearance as required under BS 4898:1973. But most importantly, in the unlikely event of a pawl spring failure, this design will ensure the brake is still fully functional and the load is sustained without damage to the mechanism.



### Brake Efficiency:

Tiger SS19 lever hoists utilise an 8 point multi-start thread pinion shaft which doubles the lead distance compared with typical 4 point threaded shafts, increasing the brake efficiency by 100%. The rotational engagement of the brake works with the direction of the load sheave creating highly efficient braking ratios. With our fine manufacturing tolerances between the pinion shaft thread and critical brake components we have engineered out a known failure mode where contamination to the threads can lead to brake failure or slippage.





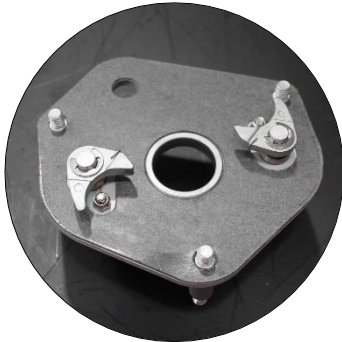
# Tiger Lifting



[www.tigerlifting.com](http://www.tigerlifting.com)

**Tiger**

Home of the Tiger hoisting, winching and height safety ranges



### Brake Chamber Protection:

Precisely engineered side plates and components protected by a full gasket give the SS19 brake chamber and contents maximum protection from external contamination.

### Bonded Marine Friction Discs

The bonded marine friction discs are free of asbestos and have been developed and designed for subsea use creating a highly efficient, reliable braking surface for use in the most extreme conditions. These models are supplied with a grooved friction disc system which assist with dispersing salt water from between key surfaces therefore eliminating failure through aquaplaning (where a layer of water builds between brake surfaces leading to a loss of friction).



### New Pinion Shaft Design:

The SS19 now comes with a redesigned pinion shaft and disc hub which adds more strength and enables quicker and easier maintenance to be carried out by the trained service engineer. This enhancement opportunity has been considered because of the results of empirical evidence found from the excellent long-life performance of the previous SS11 range and through direct dialogue with our approved global service centres. This further demonstrates the strength of relationships between Tiger and our clients.

### Multi Fall Load Sheave Bearings:

We have incorporated DU® self-lubricating metal polymer bearings into our multi chain fall load sheaves. Their success lies in the unique composite bearing structure comprised of a steel backing for mechanical strength and a porous sintered bronze interlayer impregnated with PTFE and lead for high wear resistance and extremely low friction properties. This makes them ideally suited to hoists used subsea. They provide improved energy efficiency due to low friction of PTFE-enriched overlay and have an extended service life with a strong wear-resistant bronze layer. There is zero maintenance as self-lubricating bearings can operate perfectly dry but have greater reliability with lubricant to avoid potential shaft/bearing seizure under boundary conditions.





# Tiger Lifting



[www.tigerlifting.com](http://www.tigerlifting.com)

**Tiger**

Home of the Tiger hoisting, winching and height safety ranges

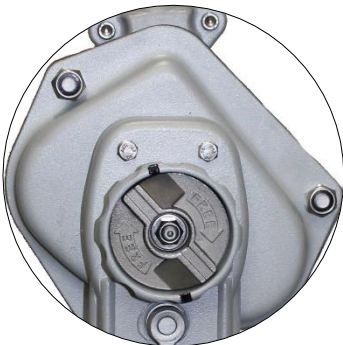


### Forgings:

Recessed hook yoke forgings offer full protection to the load chain anchor bolts on all our bottom hooks. Precise tolerances in the bottom hook yokes means foreign objects are restricted from entering the load sheave area.

### Phosphor Bronze Bearings:

The Tin content increases the corrosion resistance and strength of the alloy, the Phosphorus increases the wear resistance and stiffness of the alloy. Needle Bearings have been proven to be unstable and unsuitable for offshore and marine environments.



### New Brake Cover Design:

SS19 models now come with a redesigned brake cover which has removed the need for pawl shaft nuts to be fitted to the outside area.

### One Piece Construction Pinion Gears:

SS19 gearboxes contain one-piece pinion gears. This revolutionary process in gear manufacturing uses drop-forged raw material, precision machined and heat treated with precise ratios between teeth and body.



### Chain Guide:

The fluted chain stripper is specifically designed to guide the load chain safely onto or off the load sheave but it is the critical configuration of, and distance between, the chain stripper and the roller guide that ensures alignment of the chain so it cannot snag or jam. This allows the safe use of the SS19 when used in any orientation.





# Tiger Lifting



[www.tigerlifting.com](http://www.tigerlifting.com)

Home of the Tiger hoisting, winching and height safety ranges



**Roller Guide:**

The SS19 incorporates a newly designed roller guide which has further improved the relationship between chain and load sheave allowing for even smoother operations when SS19 units are used in extreme orientations.

**Hooks:**

Our hooks incorporate our latest Patent Pending “EZ Check” feature which allows operators and inspection engineers to easily check to see if the hoist has been previously overloaded or shock loaded by simply measuring between the triangle of pop marks.

Our drop forged and heat-treated alloy hooks are furnished with heavy duty spring latch kits that fully engage into the recessed nose of the hook safeguarding the load when side loading of the latch occurs and offering maximum load security. The swivel hooks are attached to the yoke using high grade nuts & bolts allowing for complete inspection during any statutory inspection or written scheme maintenance.



The entire hook fitting has been protected using OCP or stainless steel fixtures and fittings. Our latest latches incorporate a new wing design making them easier to operate in the operation area (e.g. wet gloved hands for offshore or subsea use). Available with hooks that swivel under the full working load limit, to meet relevant standards i.e. AS 1418.2. Also available with spark resistant hooks.

**Shipyards Hooks:**

SS19 hoists are also available with shipyard hooks in 1.6t & 3.2t capacities. They are optional top or bottom hooks that are designed specifically for Tiger lever hoist applications where point loading of the hook is possible.





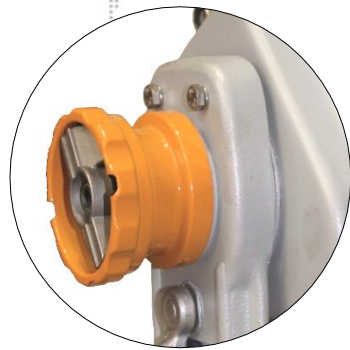
# Tiger Lifting



[www.tigerlifting.com](http://www.tigerlifting.com)

**Tiger**

Home of the Tiger hoisting, winching and height safety ranges



**Overload Protection:**

The SS19 lever hoist can be fitted with a slipping clutch overload mechanism to protect it from overload. When the load limit is exceeded, the clutch in the chain wheel will slip, allowing the handle to be operated whilst not engaging the gear box. This prevents further lifting of the load, though lowering is still possible. The SS19 with overload protection is DNV GL Verification tested according to NORSOK R-002.

**Chain End Anchorage:**

Tiger have incorporated the ultimate safeguarding of a single point failure mode as described in IMCA DO28 Rev. 1 Note 7.2 by installing a specially designed adjustable chain end stop. Tiger have specifically profiled and manufactured this item to fit the contours of the hoist. This offers complete assurance to the operator, whilst maintaining the flexibility of "freewheeling" the chain to any required starting position.



**Protection and Finish:**

SS19 hoists have a distinctive body and hooks to clearly define use in a marine environment.

Internal components are corrosion protected using our own unique formulation giving unprecedented long-term levels of corrosion protection. Stainless steel fittings are used throughout the hoist. These ensure the initial capital outlay of purchasing the SS19 is protected by allowing the statutory inspections and re-certifications to be easier and also help with the overall aesthetics of the hoist being maintained in an "as new" condition.

We have carried out intensive internal testing on components to ensure we achieved over 1500 hours protection to ASTM B117

SS19 hoists are completed with a two-stage finish combining electroplating as a base layer and then finished with a very hard-wearing sand texture powder coating paint which offers excellent corrosion protection and high impact protection. The lessons learned from previous models have allowed us to once again raise the bar with the SS19 in giving longer life corrosion protection ideally suited for multi-immersion applications.



**Load Chains:**

Tiger only use the highest quality alloy, calibrated load chains in Grade T or VH conforming to EN818-7 and ISO 16872. The SS19 comes as 3.0mtr HOL as standard but can be chained up to whatever length is required. Stainless steel load chain available on request for certain capacities.





# Tiger Lifting



[www.tigerlifting.com](http://www.tigerlifting.com)

**Tiger**

Home of the Tiger hoisting, winching and height safety ranges

### Handle:

The SS19 handle which interfaces with the operator is ergonomically designed for efficiency and ease of use and reduces the likelihood of a gloved hand from slipping off the end of the handle. It also helps prevent the use of unauthorised extension/cheater bars that could facilitate an overload on a non-overload protected SS19. All Tiger lever hoist handles contain rubber which is free from phthalates.

Tiger lever hoist handles are ultra-strong, with strer

- Protects against impact damage
- Protects the label
- Increases its robustness and longevity
- Eliminates torsion.



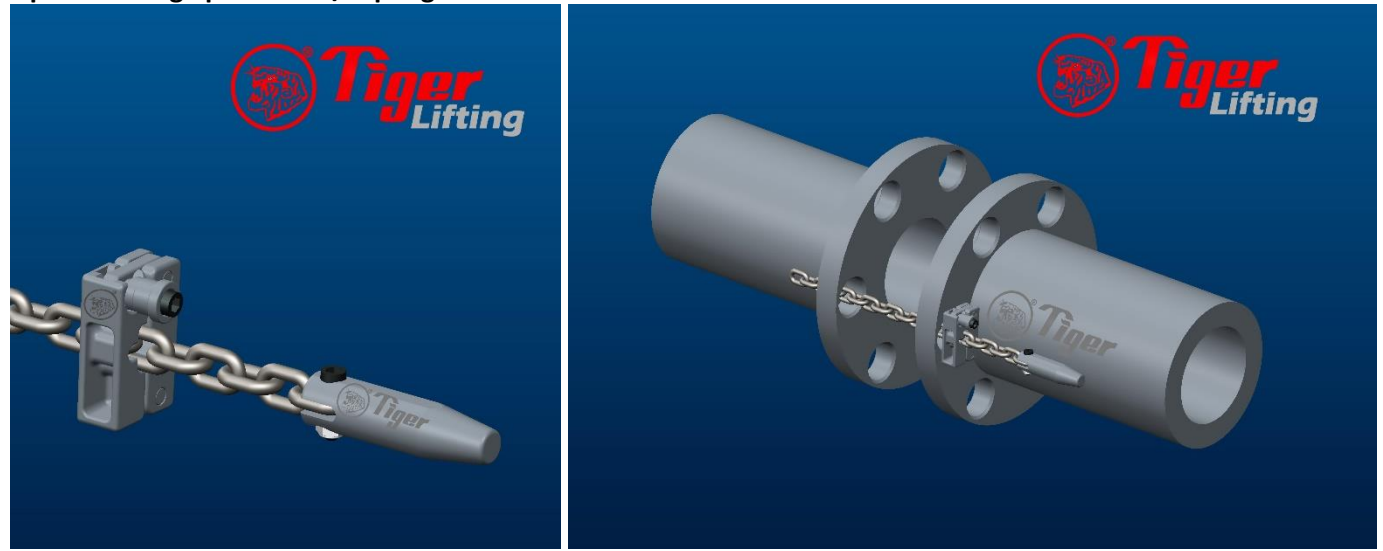
### High Performance Premium Grease:

We use new technology, wide temperature range, high performance premium grease. It contains no heavy metals or other harmful or environmentally undesirable additives such as sulphur, phosphorus, chlorine, zinc, phenols, antimony, barium or lead. This selection achieves the correct viscosity to prevent the grease migrating from the area of application. Even when mixed with 50% high water absorption we achieve excellent adhesion and no sign of breakdown after 100,000 strokes and remains unchanged with no slump or breakdown unlike other "premium" greases. Load carrying ability, mechanical stability, corrosion protection, water resistance and increased operating temperature ranges are all improved by the using only the very best lubricant.

### Temperature Range:

Operating temperature range -40°C to +50°C - far exceeding the requirements of current standards.

### Optional flange puller kit c/w podger:



Please contact us for more details.





# Tiger Lifting



[www.tigerlifting.com](http://www.tigerlifting.com)

Home of the Tiger hoisting, winching and height safety ranges

**Adaptor Components:**

Drop forged adaptor maintaining maximum strength. 360° rotation and 180° pivot for maximum flexibility. Tested and certified to 4:1 factor of safety.



Self-locking (safety) hook, clevis shackle, reevable egg (master) link or sling hook fittings available (for units up to 10t capacity).

**Performance:**

The SS19 lever hoist has undergone a full test program that includes:

Type Testing

- Ultimate strength test, at least 4 times the Working load limit (WLL)
- Chain end anchorage test, passing at least 4 times the WLL without any restriction of the brake or gears

Test on every hoist

- Proof loading at 1.5 times the rated capacity
- Light load testing at maximum of 2% rated capacity

**Technical Data**

Product Code	Capacity (tonne)	Effort (kg)	Dimensions (mm)							Load Chain		Standard HOL (m)	Mass @ std HOL (kg)	Mass for extra metre HOL (kg)
			A	B	C	D	E	F1	F2	Diameter (mm)	No. of falls			
SS-0080	0.8	23	128	243	295	158	99	28	45	ø6.3	1	3	9.0	0.9
SS-0160	1.6	26	154	370	320	172	104	34	51	ø7.1	1	3	12.5	1.1
SS-0320	3.2	38	182	370	400	195	108	36	56	ø10.0	1	3	22.0	2.2
SS-0630	6.3	40	242	370	570	195	108	49	70	ø10.0	2	3	34.5	4.3
SS-1000	10.0	47	379	370	630	195	108	54	87	ø10.0	3	3	55.0	6.5
SS-1500	15.0	44	566	370	840	195	108	59	81	ø10.0	5	3	128.0	10.8
SS-2000	20.0	49	470	370	1050	250	160	81	110	ø10.0	6	3	174.0	13.1

See page 12 for more hook information





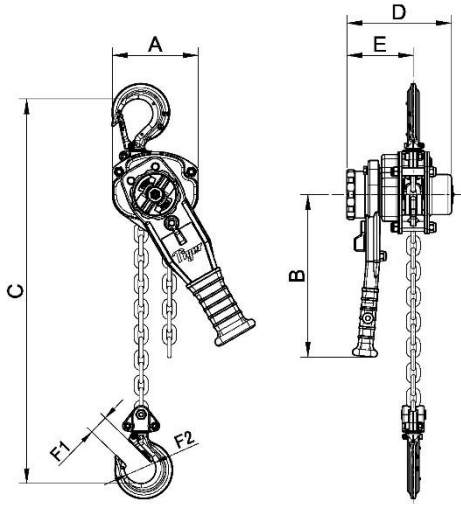
# Tiger Lifting



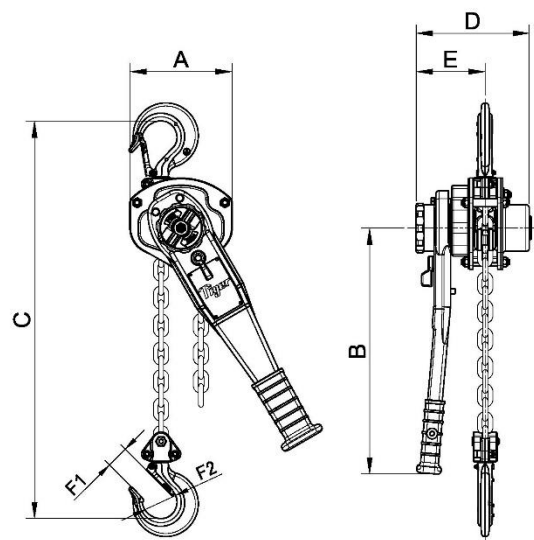
[www.tigerlifting.com](http://www.tigerlifting.com)

**Tiger**

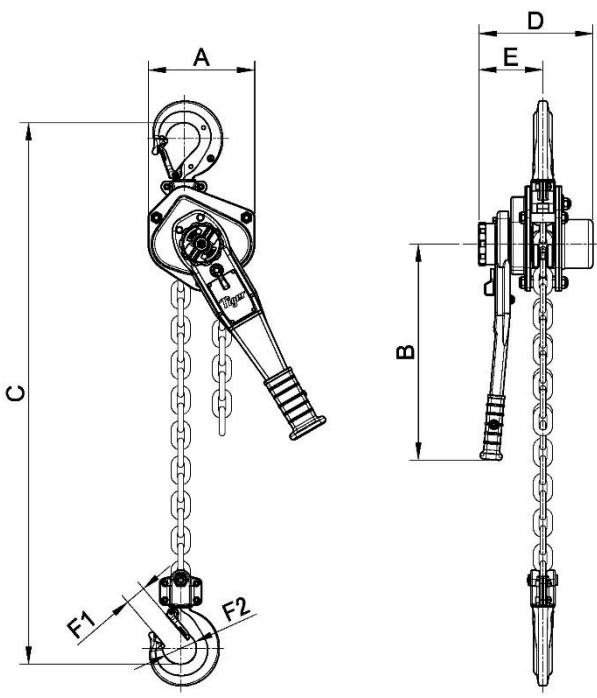
Home of the Tiger hoisting, winching and height safety ranges



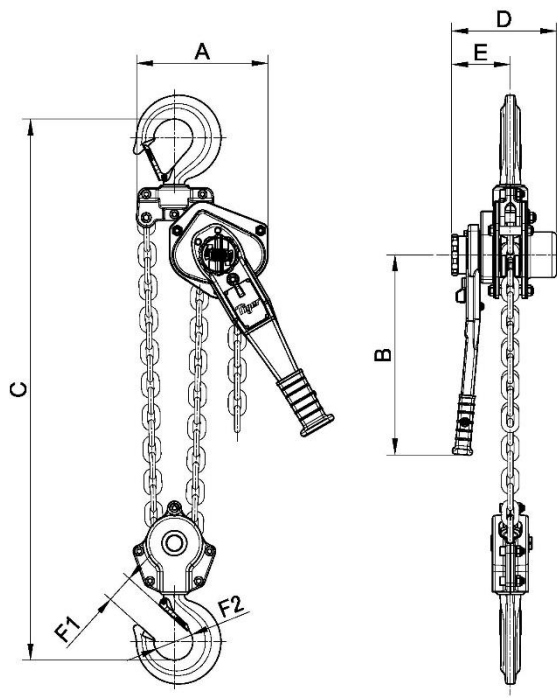
0.8t



1.6t



3.2t



6.3t





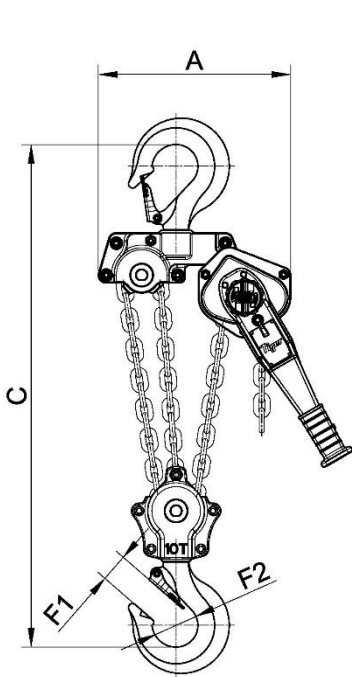
# Tiger Lifting



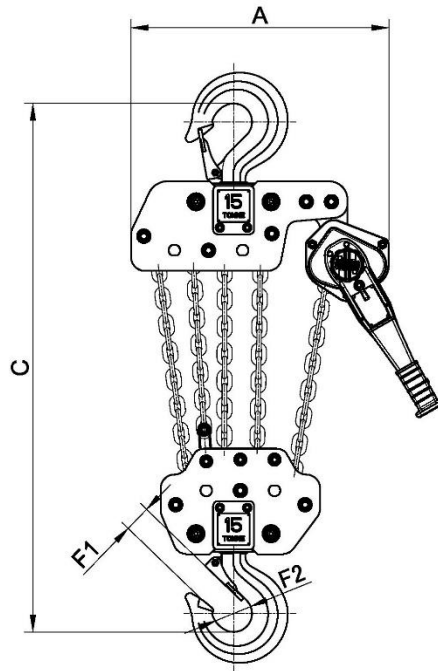
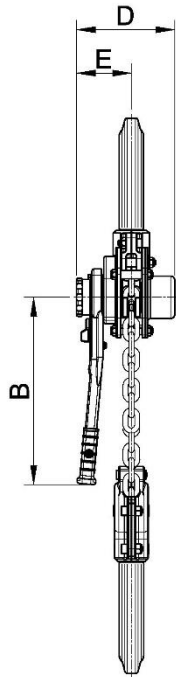
[www.tigerlifting.com](http://www.tigerlifting.com)

**Tiger**

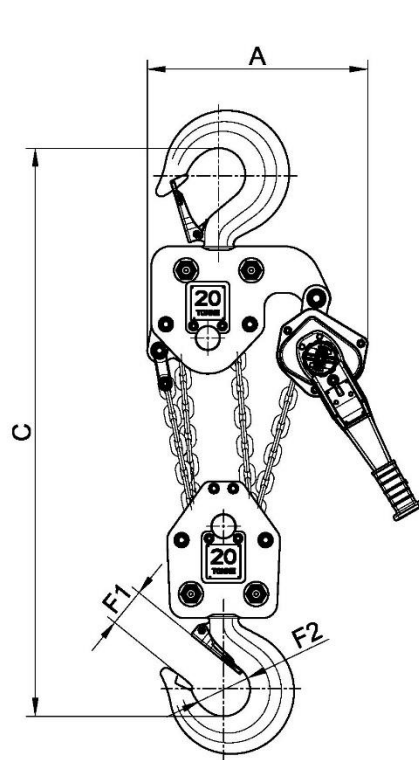
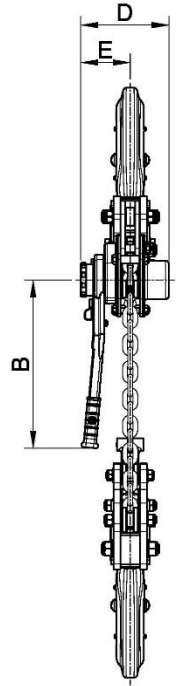
Home of the Tiger hoisting, winching and height safety ranges



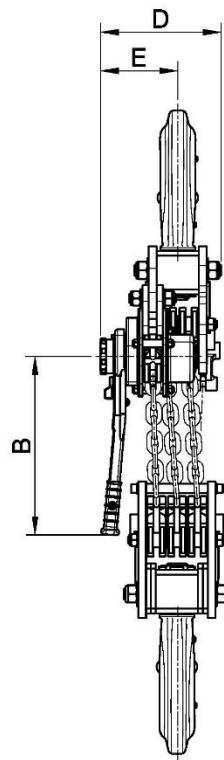
10.0t



15.0t



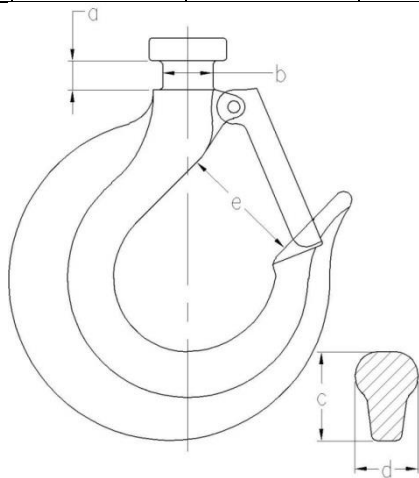
20.0t



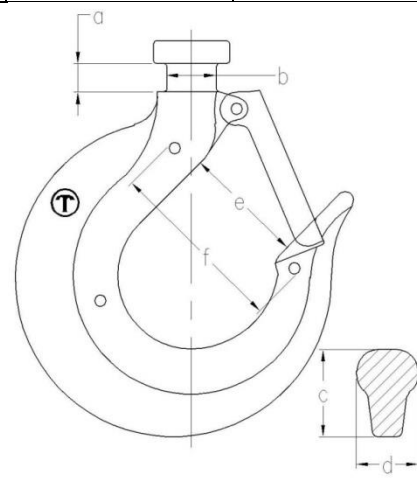


### Hook Technical Data

Capacity (Tonnes)	Collar measurements (mm)		Hook thickness at point shown in diagram (mm)		Hook throat Opening (mm)	"EZ Check" measurement (mm)
	a	b	c	d		
0.8	8	13.5	23	17	34	52
1.6	10	15.5	26	21	39	59
3.2	12.5	20	37	32	42	76
6.3	19	30	43	36	58	86
10.0	20	33	52	48	70	121
15.0	-	36	67	60	67	130
20.0	-	48	77	72	90	162

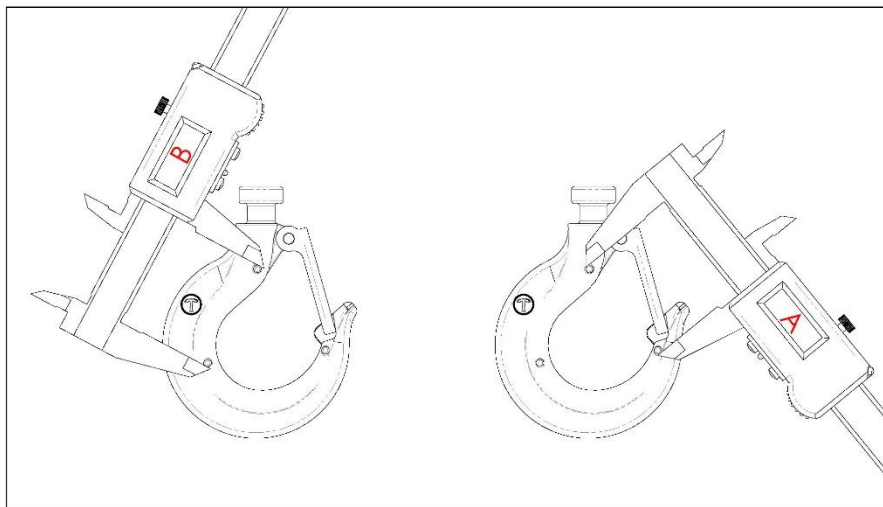


Traditional Tiger Hooks



Tiger Hooks with new "EZ Check" 3 point marking system

SS19 hoists are fitted with the patent pending Tiger "EZ check" 3 point marking system. With this system a quick check that the A and B measurements are the same (as shown in the diagram below) will indicate if the hooks have stretched. If  $A \leq B$  the hook is fine; if  $A > B$  the hook needs to be replaced:



Due to our policy of continual product development, dimensions, weights and specifications may change without prior notice. Please check with your Tiger sales team when ordering.

