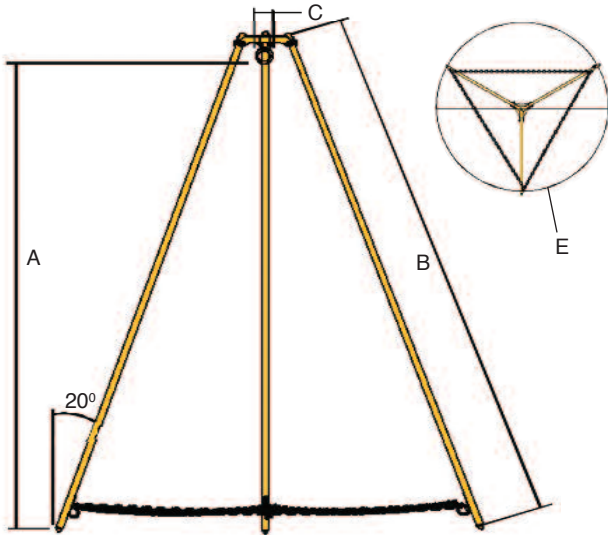


SL SHEARLEGS



The Camlok Shearlegs have been designed to be simple and easy to erect and operate. Each set of shearlegs are supplied, as standard, fitted with safety chains and a large eyebolt for the suspension of hand operated lifting mechanisms, chain blocks or pulleys.

NB: These shearlegs must not be used for lifting personnel. Height Safety Tripods are available on page 57.

Model	WLL kgs	Height to eye mm	Leg length mm	PCD 'E' mm	Weight kgs	Price* £
SL0.500/2	500	2000	2254	1800	24	£588
SL1000/2	1000	2000	2276	1816	33	£613
SL1000/3	1000	3000	3340	2544	44	£672
SL1000/4	1000	4000	4411	3270	89	£719
SL2000/3	2000	3000	3366	2554	71	£817
SL2000/4	2000	4000	4430	3282	90	£918
SL3000/3	3000	3000	3409	2730	88	£968
SL3000/4	3000	4000	4473	3458	108	£1049

Available with a variety of leg and foot options:

(1) Fitted as standard for hard ground, eg concrete.

(2) FF. Flat foot for soft ground, eg. earth

(3) FR. Rubber lined foot for internal use.

(4) FC. Combined for hard or soft ground, eg. earth or concrete.

(5) Dual height supplied with 2 safety chains (max. split 2)

(6) Split leg for storage and transport (max split 2)

(7) Adjustable legs suitable for un-level ground, shallow slopes and slight inclines (max. adjustable height 500mm)

***Fitted with standard legs for hard ground. Call the sales team for prices on other foot options.**