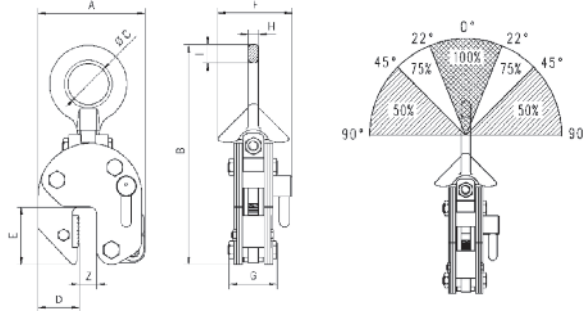


CY 'HINGED' VERTICAL PLATE CLAMPS



The CY plate clamps with hinged hook rings can be used for the safe handling of plate at various angles. It can lift plate from the horizontal and put it down in the vertical. The hinged hook ring ensures adequate gripping pressure in every position, but the load capacity reduces. See the diagram below showing the load / force capacities.

The main benefit of the CY hinged plate clamps is that longer plates can be lifted or handled, using two clamps on a two legged chain sling (as shown in illustration), thus eliminating the need for a spreader beam.



NB: The plate surface of the material being clamped must have a hardness level below HRC 30/Brinell 300.

Model	WLL kg*	Jaw (Z) capacity mm	A mm	B mm	C mm	D mm	E mm	F mm	G mm	H mm	I mm	Weight kg**
CY1	100 - 1000	0 - 20	126	270	50	49	70	95	63	12	23	4.6
CY2	200 - 2000	0 - 32	192	382	80	75	96	132	92	20	30	14
CY3	300 - 3000	0 - 32	192	382	80	75	96	132	92	20	30	14

*Per clamp.

**Weight per clamp without chains.