

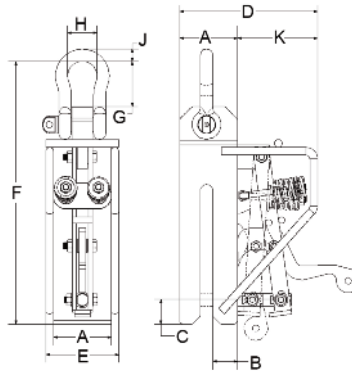
CP PILE PITCHING CLAMPS



The CP pile pitching clamps are specifically designed for pitching sheet steel piling. These clamps come fitted with a 15 metre length of rope which allows the clamp to be released from the ground. These units come fitted as standard with a shackle.

NB: These clamps are NOT designed for extracting driven piles.

* Spare parts for the CP pile pitching clamps are shown on page 201



Model	WLL kg	Jaw width mm	Throat depth mm	Pin dia. mm	A mm	B mm	C mm	D mm	E mm	F mm	G mm	H mm	J mm	K mm	Weight kg
CP 2	2000	20	228	20	90	38	38	215	114	411	71	46	19	200	19
CP 3	3000	26	228	30	100	40	38	225	124	438	91	63	25	200	22
CP 5	5000	35	228	30	115	45	38	240	139	477	117	82	32	200	28