

WH AH Air Hoist

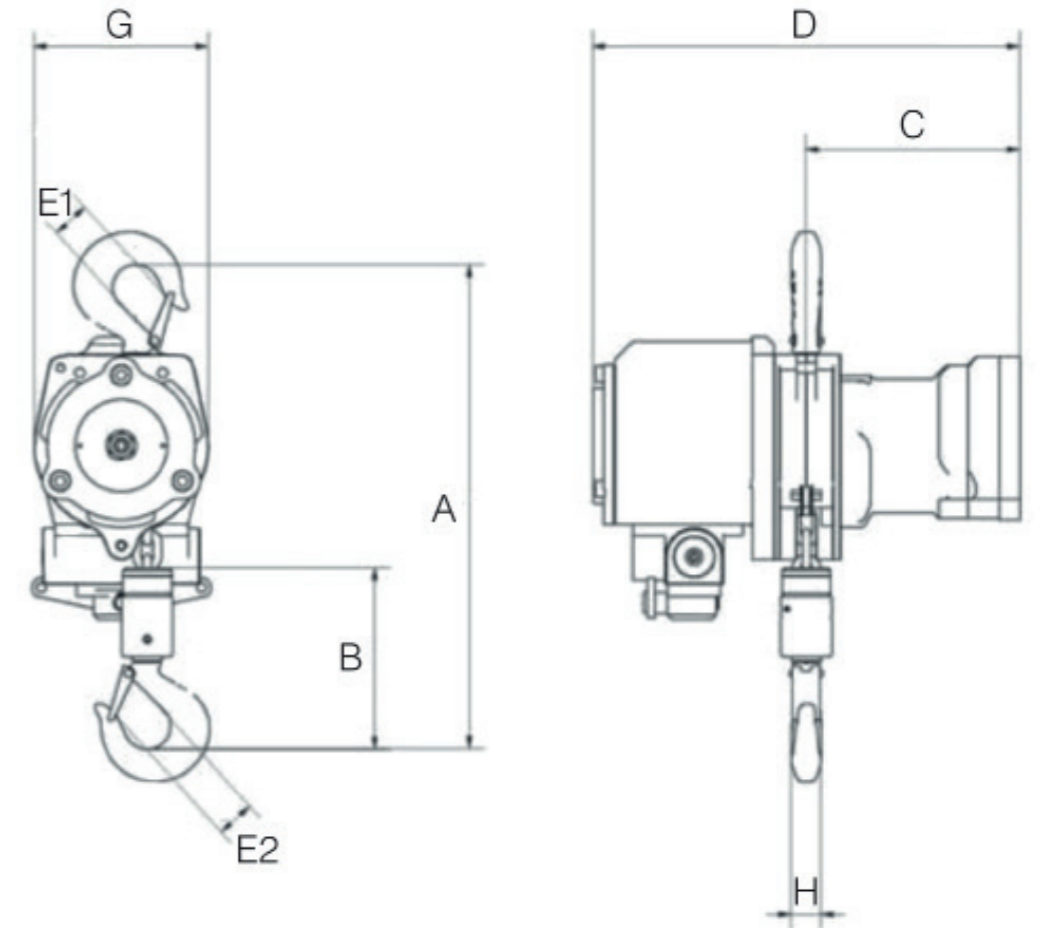
WH AH Air Hoist

Features:

- Manufactured in accordance with European Standard EN 14492-2, ASME B30.1.6 and SANS 1638
- Robust epicycle gearbox (grease filled and sealed)
- Choice of pull cord, pilot pendant c/w E-Stop or direct pendant control - variable speed
- Urethane yielding buffers for upper and lower limit stops
- SG iron housings
- Internal silencing
- High grade alloy steel swivel hooks with safety catches
- Galvanised Grade 8 Load Chain made to EN818-7
- Automatic self-adjusting multi disc brake 125% WLL
- Spark resistant (ATEX Zone 2)

Options:

- Spark resistant (ATEX Zone 1 + 2)
- Marine specification: Nickel coated and marine paint
- Corrosion resistance: stainless steel hooks and chain, special paints
- Chain Containers
- Plain, geared and motorised trolleys



Specifications

PART CODE	WLL t	No. of Falls	Motor Power Output kW	Weight with standard lift, rope control kg	Weight of 1m of Chain kg	Air Pressure bar	Air consumption full load m ³ /min	Air hose connection	Air hose dimension min. mm	Lifting Speed full load m/min	Lifting Speed without load m/min	Lowering Speed with full load m/min	Length of control Standard Lift m	Noise Level dBA @1m	Chain Dimension mm	A min. Headroom mm	B mm	C mm	D mm	E1 mm	E2 mm	G max. Width mm	H Hook Width mm
AH.0025	0.25	1	1.4	17.5	1.08	6.2	1.75	1/2" BSP	13.00	16.0	25.00	27.0	2	84	7 x 21	338	148	162	253	23	23	123	24
AH.0050	0.50	1	1.4	17.5	1.08	6.2	1.75	1/2" BSP	13.00	16.0	25.00	27.0	2	84	7 x 21	338	148	162	253	23	23	123	24
AH.010	1.00	1	1.4	22.0	1.08	6.2	2.00	1/2" BSP	13.00	5.20	11.00	11.0	2	84	7 x 21	347	148	162	292	23	23	128	24
AH.020	2.00	2	1.4	26.0	1.08	6.2	2.00	1/2" BSP	13.00	2.50	5.00	5.0	2	84	7 x 21	397	201	162	292	23	23	128	24
AH.030	3.00	1	3.2	75.0	3.80	6.2	3.10	3/4" BSP	19.25	3.20	5.00	4.5	2	84	13 x 36	555	223	205	424	40	30	230	40
AH.060	6.00	2	3.2	85.0	3.80	6.2	3.10	3/4" BSP	19.25	1.30	2.00	2.0	2	84	13 x 36	690	359	230	424	40	40	230	40
AH.100	10.00	2	3.2	150.0	5.70	6.2	3.10	3/4" BSP	19.25	1.30	1.60	2.2	2	84	16 x 45	805	431	314	463	53	53	314	47
AH.160	16.00	3	3.2	175.0	3.80	6.2	3.10	3/4" BSP	19.25	0.60	0.80	0.7	2	84	13 x 36	795	-	284	566	58	58	208	-
AH.200	20.00	4	3.2	330.0	5.70	6.2	3.10	3/4" BSP	19.25	0.65	1.40	1.8	2	84	16 x 45	1005	-	300	593	78	78	328	-
AH.300	30.00	2	6.5	610.0	12.22	6.2	6.51	1-1/2" BSP	35.00	1.20	2.60	2.0	2	84	23.5 x 66	1310	581	395	754	71	71	377	-
AH.375	37.50	3	6.5	875.0	12.22	6.2	6.51	1-1/2" BSP	38.10	0.72	1.50	1.5	2	84	23.5 x 66	1500	-	432	905	100	100	660	-

mharwood@rhtltd.co.uk

www.rhtltd.co.uk

+44 (0)1953 889998

