

Hack8 Round Sling Coupling

The Hack8 round sling coupling is designed for use with polyester round slings. It can also be used in conjunction with other Hack8 coupling components, such as the Hack8 half coupling link or Hack8 closed coupling master link, for sling systems that incorporate both chain and round slings. Manufactured from alloy steel, the Hack8 round sling coupling delivers an excellent balance between toughness and ductility.

Standards: designed and manufactured in accordance with EN1677-1 and suitable for use in chain slings certified to EN818-4.

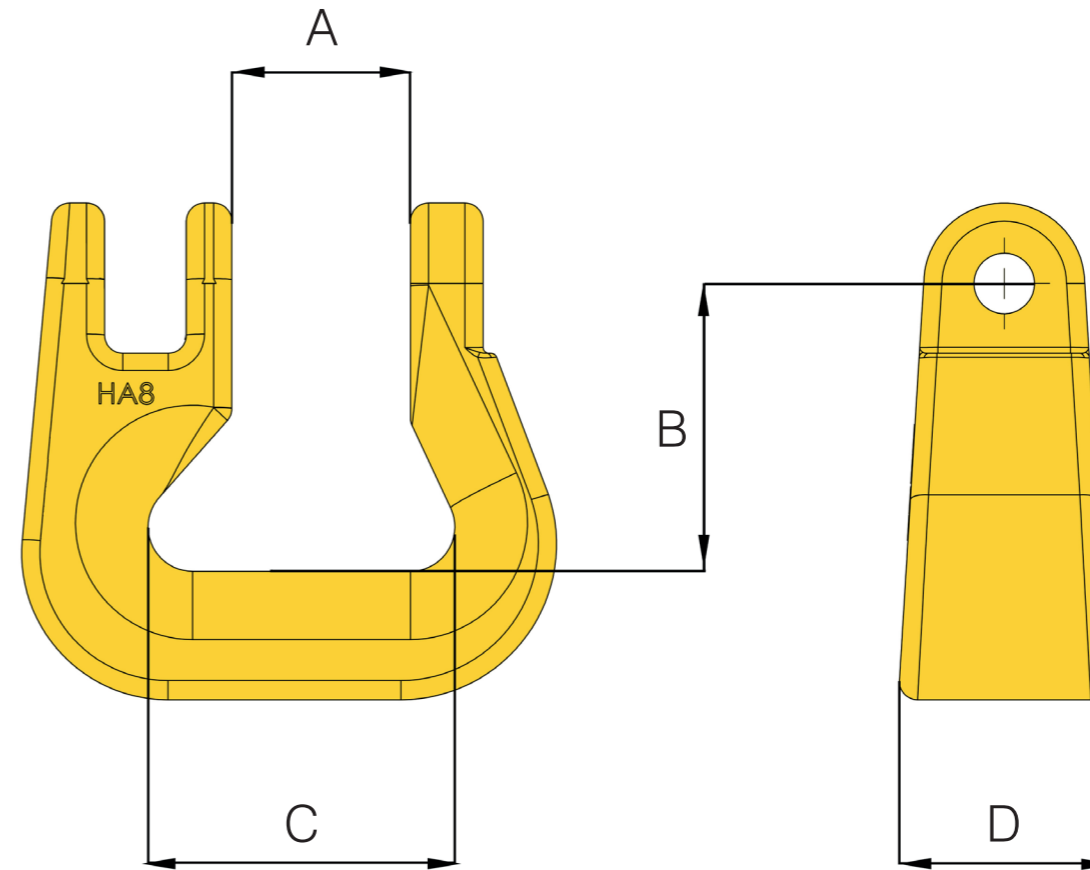
Product sizes: available for chain sizes from 7/8mm to 20mm and with working load limits from 2.0 tonnes to 12.5 tonnes.

Temperature: operational temperature range of - 40°C to + 200°C without reduction in working load limit.

Material: alloy steel.

Testing: crack detection following heat treatment, and proof load tested to 2.5 times working load limit.

Safety factor: 4 : 1.



Specifications

Part Code	Chain Size mm	A mm	B mm	C mm	D mm	Box Qty.	WLL tonnes	Mass kg
8-H35-08	7/8	20.5	36.0	39.0	24.1	80	2.00	0.22
8-H35-10	10	28.0	41.4	47.0	30.5	50	3.15	0.36
8-H35-13	13	30.0	49.9	52.5	36.8	25	5.30	0.78
8-H35-16	16	36.3	64.5	65.7	45.2	15	8.00	1.28
8-H35-20	20	44.0	73.7	80.4	51.8	10	12.50	1.92

Hack8 Round Sling Coupling

The Hack8 round sling coupling is designed for use with polyester round slings. It can also be used in conjunction with other Hack8 coupling components, such as the Hack8 half coupling link or Hack8 closed coupling master link, for sling systems that incorporate both chain and round slings. Manufactured from alloy steel, the Hack8 round sling coupling delivers an excellent balance between toughness and ductility.

Standards: designed and manufactured in accordance with EN1677-1 and suitable for use in chain slings certified to EN818-4.

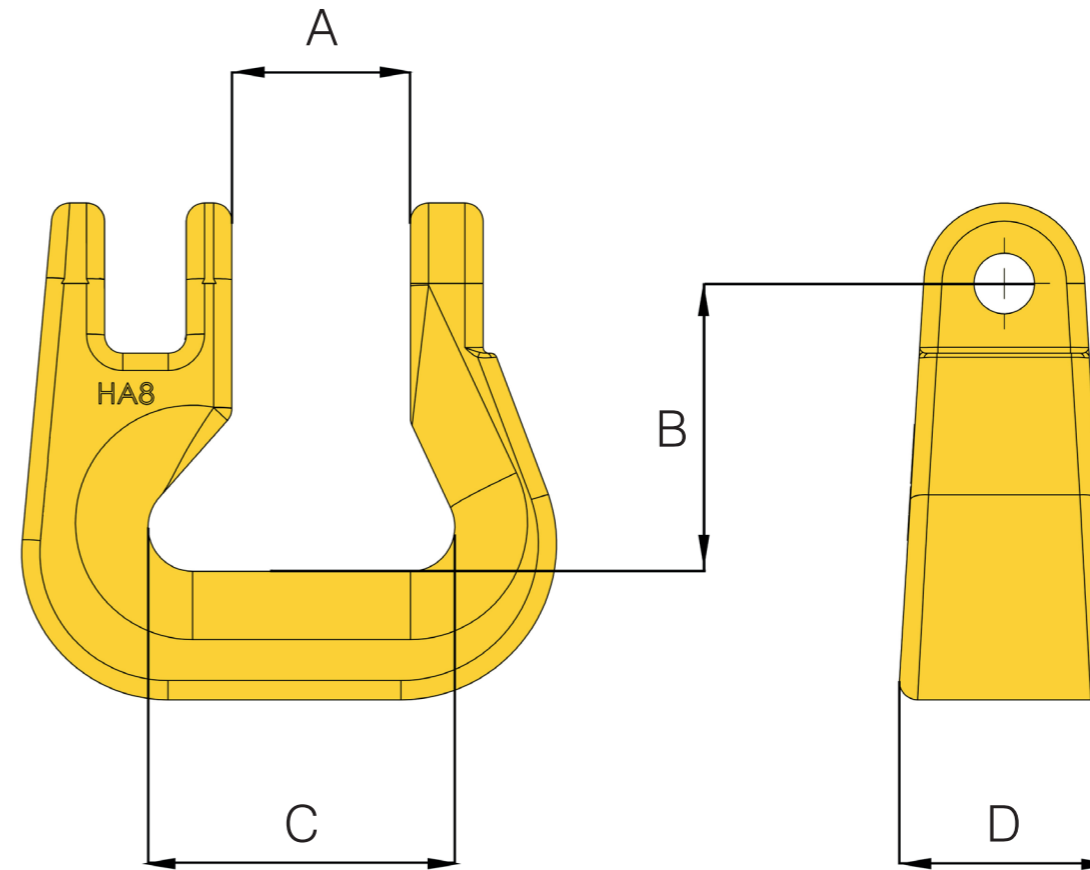
Product sizes: available for chain sizes from 9/32 - 5/16 inch to 3/4 inch and with working load limits from 4,500 lbs to 28,300 lbs.

Temperature: operational temperature range of -40°F to +392°F (-40°C to + 200°C) without reduction in working load limit.

Material: alloy steel.

Testing: crack detection following heat treatment, and proof load tested to 2.5 times working load limit.

Safety factor: 4 : 1.



Specifications

Part Code	Chain Size inch	A inch	B inch	C inch	D inch	Box Qty.	WLL lbs	Mass lbs
8-H35-08	9/32 - 5/16	0.81	1.42	1.54	0.95	80	4500	0.49
8-H35-10	3/8	1.10	1.63	1.85	1.20	50	7100	0.79
8-H35-13	1/2	1.18	1.96	2.07	1.45	25	12000	1.72
8-H35-16	5/8	1.43	2.54	2.59	1.78	15	18100	2.82
8-H35-20	3/4	1.73	2.90	3.17	2.04	10	28300	4.23