

Hack8 Omega Link

The Hack8 omega link is used to connect lengths of chain to both master links and sub assemblies as well as various end fittings, such as shackles and eye hooks. Unlike a connector, an omega link features a clevis attachment type, which means it is exclusively used in chain sling assemblies. Manufactured from alloy steel, the Hack8 omega link delivers an excellent balance between toughness and ductility.

Standards: designed and manufactured in accordance with EN1677-1 and suitable for use in chain slings certified to EN818-4.

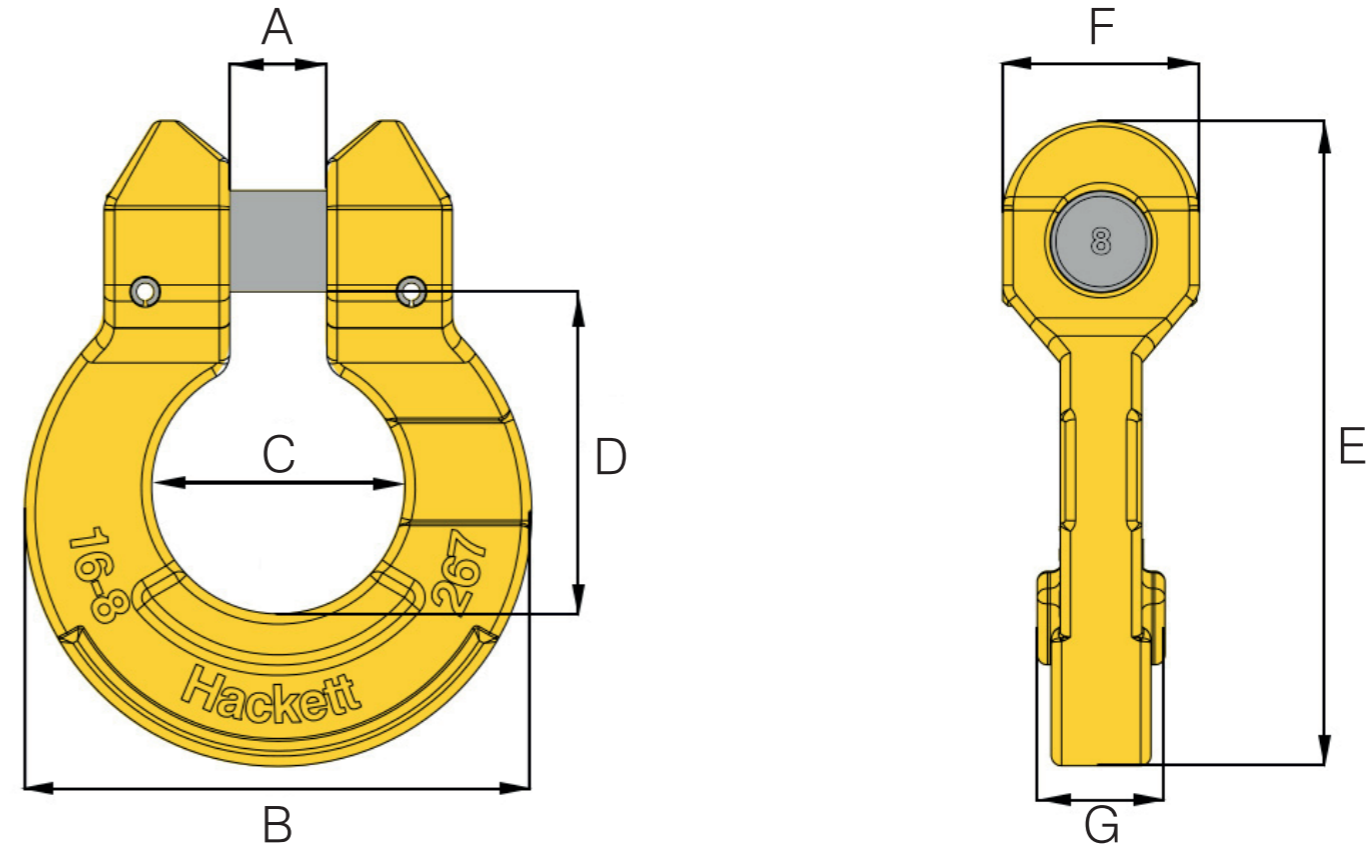
Product sizes: available for chain sizes from 7/8mm to 20mm and with working load limits from 2.0 tonnes to 12.5 tonnes.

Temperature: operational temperature range of - 40°C to + 200°C without reduction in working load limit.

Material: alloy steel.

Testing: crack detection following heat treatment, and proof load tested to 2.5 times working load limit.

Safety factor: 4 : 1.



Specifications

Part Code	Chain Size mm	A mm	B mm	C mm	D mm	E mm	F mm	G mm	Box Qty.	WLL tonnes	Mass kg
8-H11-08	7/8	10.0	52.0	23.0	35.0	68.5	22.0	14.0	100	2.00	0.22
8-H11-10	10	12.0	62.0	30.0	46.0	87.0	26.0	16.0	60	3.15	0.36
8-H11-13	13	15.0	81.0	38.0	54.0	108.0	33.0	20.0	25	5.30	0.71
8-H11-16	16	19.0	99.0	49.0	64.0	126.0	38.0	25.0	15	8.00	1.12
8-H11-20	20	23.0	118.0	57.0	75.6	152.0	50.0	32.0	10	12.50	2.10

Hack8 Omega Link

The Hack8 omega link is used to connect lengths of chain to both master links and sub assemblies as well as various end fittings, such as shackles and eye hooks. Unlike a connector, an omega link features a clevis attachment type, which means it is exclusively used in chain sling assemblies. Manufactured from alloy steel, the Hack8 omega link delivers an excellent balance between toughness and ductility.

Standards: designed and manufactured in accordance with EN1677-1 and suitable for use in chain slings certified to EN818-4.

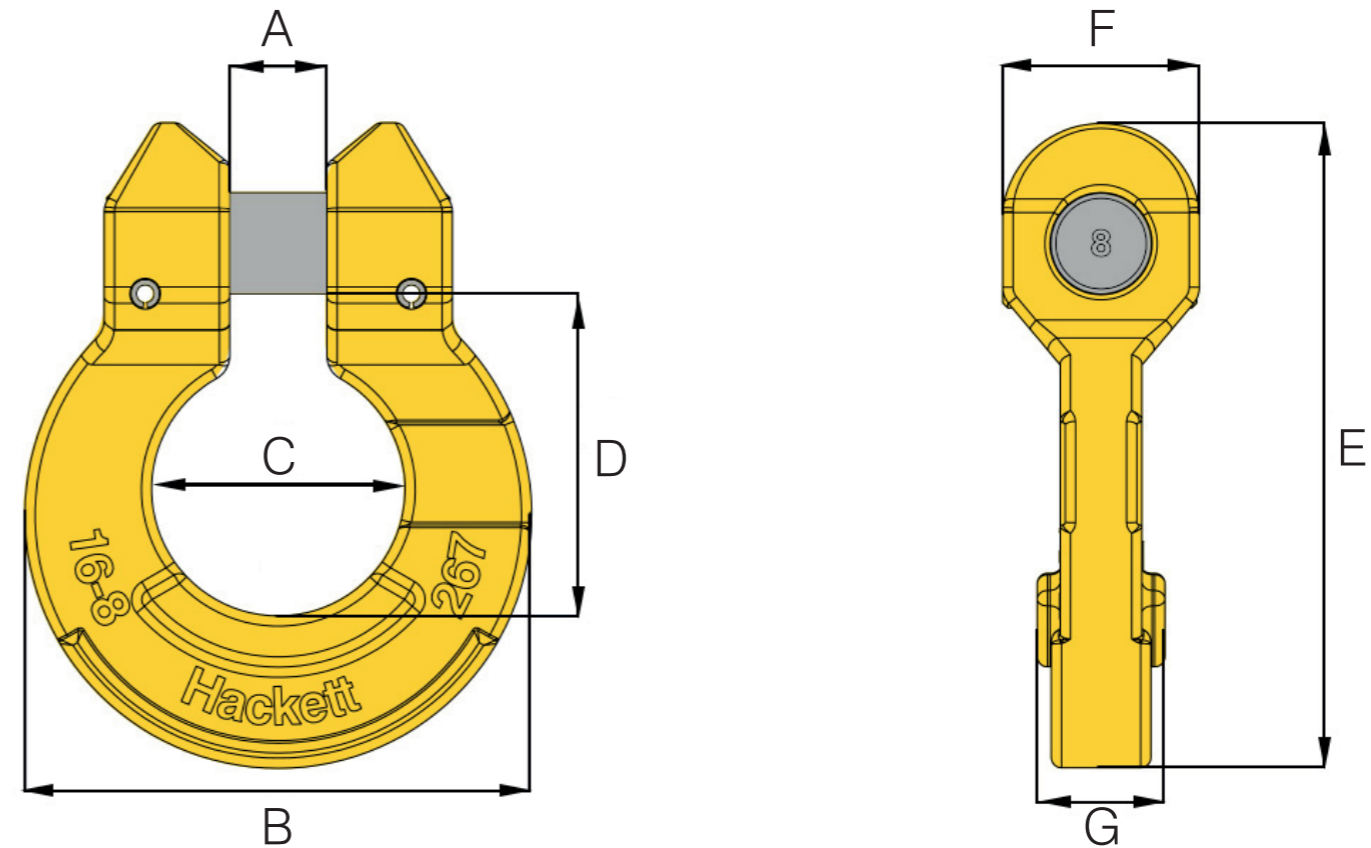
Product sizes: available for chain sizes from 9/32 - 5/16 inch to 3/4 inch and with working load limits from 4,500 lbs to 28,300 lbs.

Temperature: operational temperature range of -40°F to +392°F (-40°C to + 200°C) without reduction in working load limit.

Material: alloy steel.

Testing: crack detection following heat treatment, and proof load tested to 2.5 times working load limit.

Safety factor: 4 : 1.



Specifications

Part Code	Chain Size inch	A inch	B inch	C inch	D inch	E inch	F inch	G inch	Box Qty.	WLL lbs	Mass lbs
8-H11-08	9/32 - 5/16	0.39	2.05	0.91	1.38	2.70	0.87	0.55	100	4500	0.46
8-H11-10	3/8	0.47	2.44	1.18	1.81	3.43	1.02	0.63	60	7100	0.79
8-H11-13	1/2	0.59	3.19	1.50	2.13	4.25	1.30	0.79	25	12000	1.57
8-H11-16	5/8	0.75	3.90	1.93	2.52	4.96	1.50	0.98	15	18100	2.47
8-H11-20	3/4	0.91	4.65	2.24	2.98	5.98	1.97	1.26	10	28300	4.63