

Hack8 Half Coupling Link

The Hack8 half coupling link allows Hack8 insulated blank swivels and other Hack8 coupling components to be connected within a chain sling assembly. Manufactured from alloy steel, the Hack8 half coupling link delivers an excellent balance between toughness and ductility.

Standards: designed and manufactured in accordance with EN1677-1 and suitable for use in chain slings certified to EN818-4.

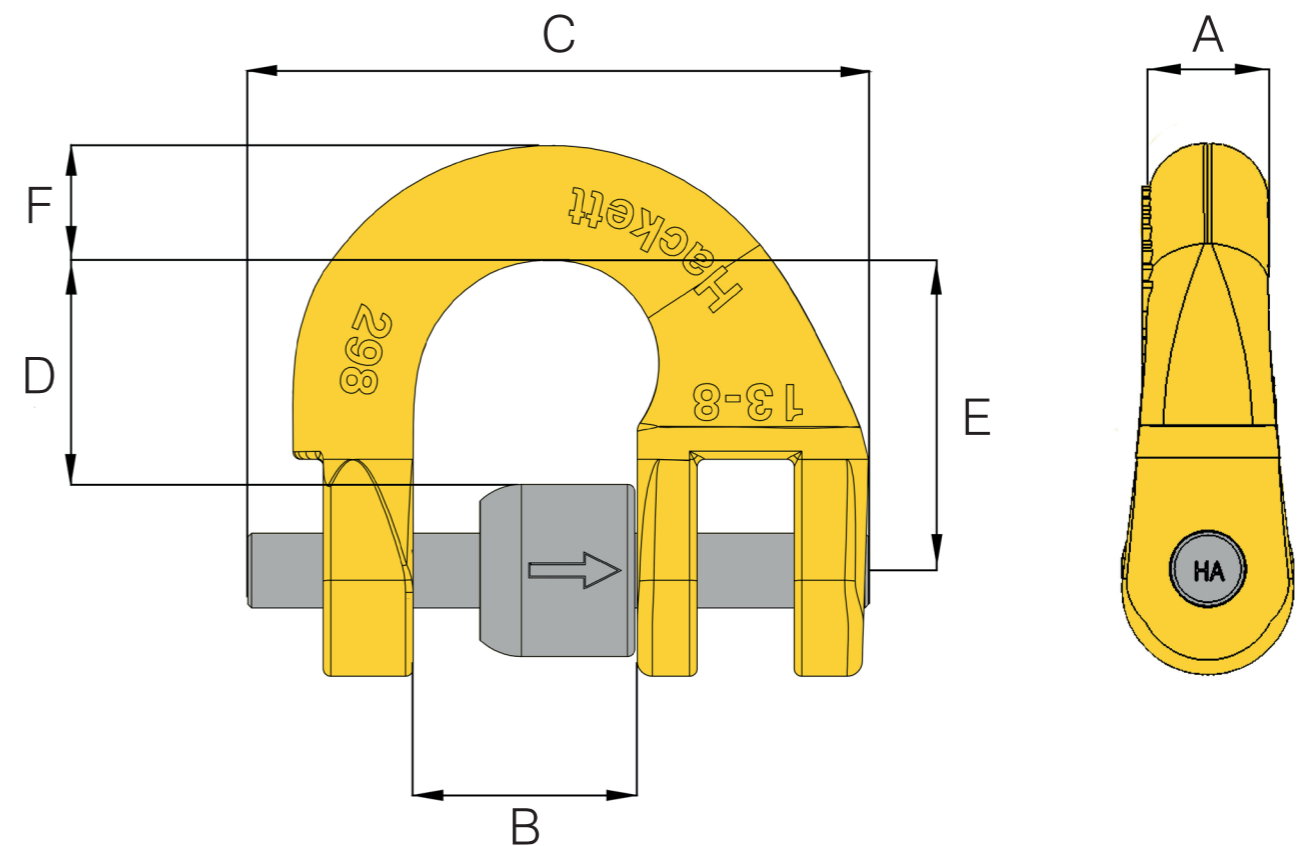
Product sizes: available for chain sizes from 7/8mm to 20mm and with working load limits from 2.0 tonnes to 12.5 tonnes.

Temperature: operational temperature range of - 40°C to + 200°C without reduction in working load limit.

Material: alloy steel.

Testing: crack detection following heat treatment, and proof load tested to 2.5 times working load limit.

Safety factor: 4 : 1.



Specifications

Part Code	Chain Size mm	A mm	B mm	C mm	D mm	E mm	F mm	Box Qty.	WLL tonnes	Mass kg
8-H03-08H	7/8	9.0	20.5	54.5	23.8	30.3	9.0	100	2.00	0.1
8-H03-10H	10	11.5	26.0	69.0	26.0	34.0	12.0	50	3.15	0.2
8-H03-13H	13	15.0	30.0	82.5	32.0	43.5	15.0	25	5.30	0.4
8-H03-16H	16	19.8	35.0	101.5	39.8	52.0	19.8	20	8.00	0.7
8-H03-20H	20	22.0	41.8	116.5	45.8	60.8	24.0	8	12.50	1.1

Hack8 Half Coupling Link

The Hack8 half coupling link allows Hack8 insulated blank swivels and other Hack8 coupling components to be connected within a chain sling assembly. Manufactured from alloy steel, the Hack8 half coupling link delivers an excellent balance between toughness and ductility.

Standards: designed and manufactured in accordance with EN1677-1 and suitable for use in chain slings certified to EN818-4.

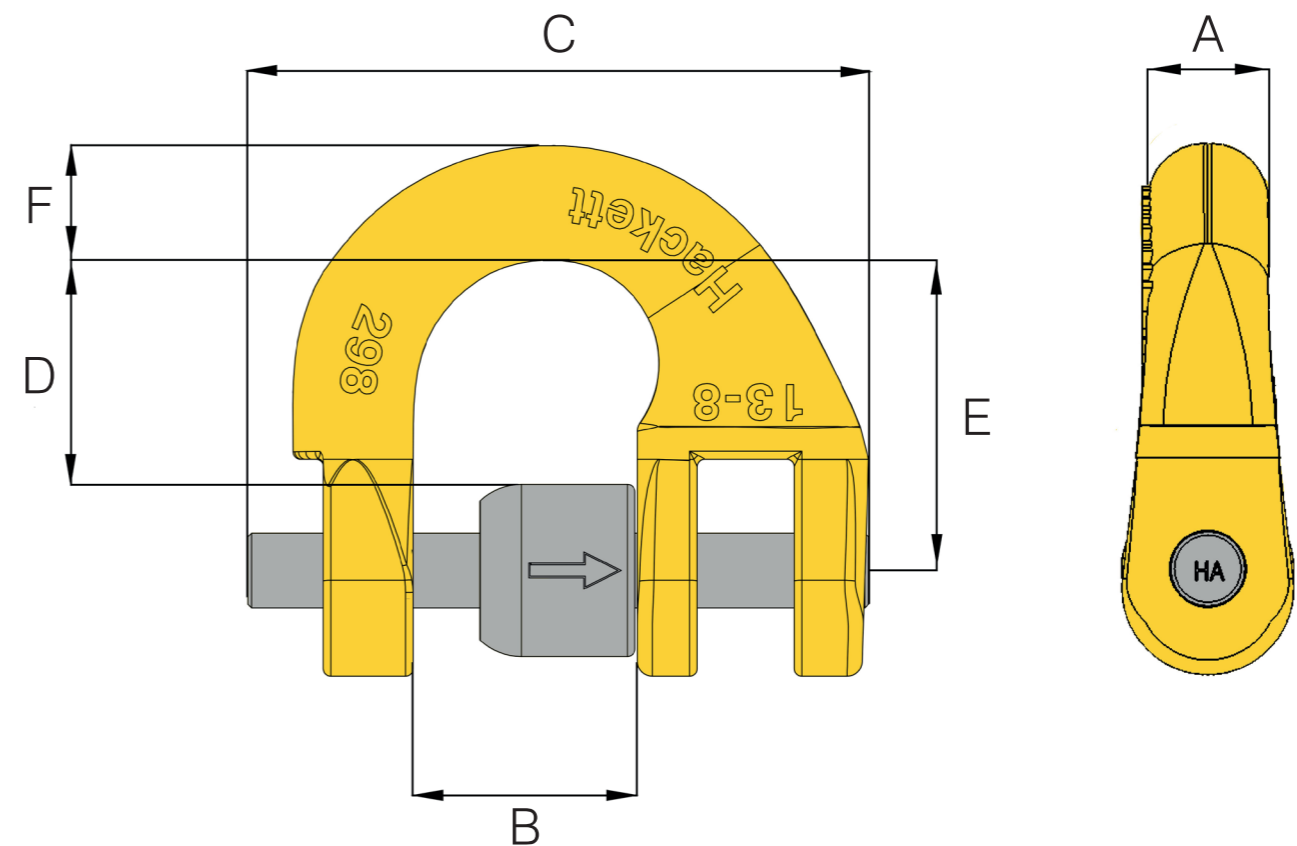
Product sizes: available for chain sizes from 1/4 - 5/16 inch to 3/4 inch and with working load limits from 4,500 lbs to 28,300 lbs.

Temperature: operational temperature range of -40°F to +392°F (-40°C to + 200°C) without reduction in working load limit.

Material: alloy steel.

Testing: crack detection following heat treatment, and proof load tested to 2.5 times working load limit.

Safety factor: 4 : 1.



Specifications

Part Code	Chain Size inch	A inch	B inch	C inch	D inch	E inch	F inch	Box Qty.	WLL lbs	Mass lbs
8-H03-08H	1/4 - 5/16	0.35	0.81	2.15	0.94	1.19	0.35	100	4500	0.22
8-H03-10H	3/8	0.45	1.02	2.72	1.02	1.34	0.47	50	7100	0.44
8-H03-13H	1/2	0.59	1.18	3.25	1.26	1.71	0.59	25	12000	0.88
8-H03-16H	5/8	0.78	1.38	4.00	1.57	2.05	0.78	20	18100	1.54
8-H03-20H	3/4	0.87	1.65	4.59	1.80	2.39	0.94	8	28300	2.43