



## Key Features

**Standards:** designed and manufactured in accordance with EN1677-1 and suitable for use in chain slings certified to EN818-4.

**Product sizes:** available for chain size 20mm and with a working load limit of 12.5 tonnes.

**Temperature:** operational temperature range of - 40°C to + 200°C without reduction in working load limit.

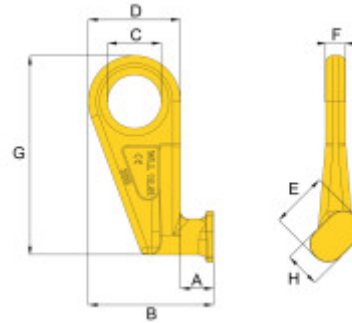
**Side variants:** available in left-side and right-side variants for enhanced load security whilst lifting at 45° angles.

**Material:** alloy steel.

**Testing:** crack detection following heat treatment, and proof load tested to 2.5 times working load limit.

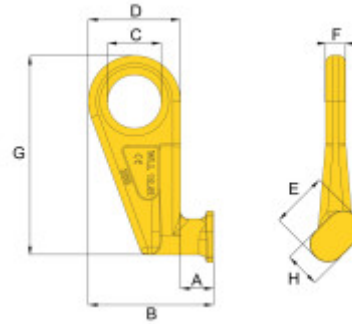
**Safety factor:** 4 : 1.





## Metric

Part Code	Chain Size mm	A mm	B mm	C mm	D mm	E mm	F mm	G mm	H mm	Box Qty.	WLL tonnes	Mass kg
8-H25-45LH	20	46.0	167.0	70.0	120.0	75.0	25.0	265.0	48.0	4	12.50	4.12
8-H25-45RH	20	46.0	167.0	70.0	120.0	75.0	25.0	265.0	48.0	4	12.50	4.12



## Imperial

Part Code	Chain Size inch	A inch	B inch	C inch	D inch	E inch	F inch	G inch	H inch	Box Qty.	WLL lbs	Mass lbs
8-H25-45LH	3/4	1.81	6.57	2.76	4.72	2.95	0.98	10.43	1.89	4	28300	9.08
8-H25-45RH	3/4	1.81	6.57	2.76	4.72	2.95	0.98	10.43	1.89	4	28300	9.08