



Hack10 Eye Sling Hook

Hack10 Eye Sling Hook

The Hack10 eye sling hook features a generous hook aperture and bowl, making it a versatile hook type suited for a variety of chain sling applications. This hook features an eye attachment type, making it suitable for use in both chain and wire rope sling assemblies. Manufactured from alloy steel, the Hack10 eye sling hook is 25% stronger than a grade 8 equivalent, delivering a greater working load limit without the need for a larger diameter chain sling.

Standards: designed and manufactured in accordance with EN1677-1, ASTM A952/A952M, and DIN PAS 1061 and suitable for use in chain slings certified to EN818-4.

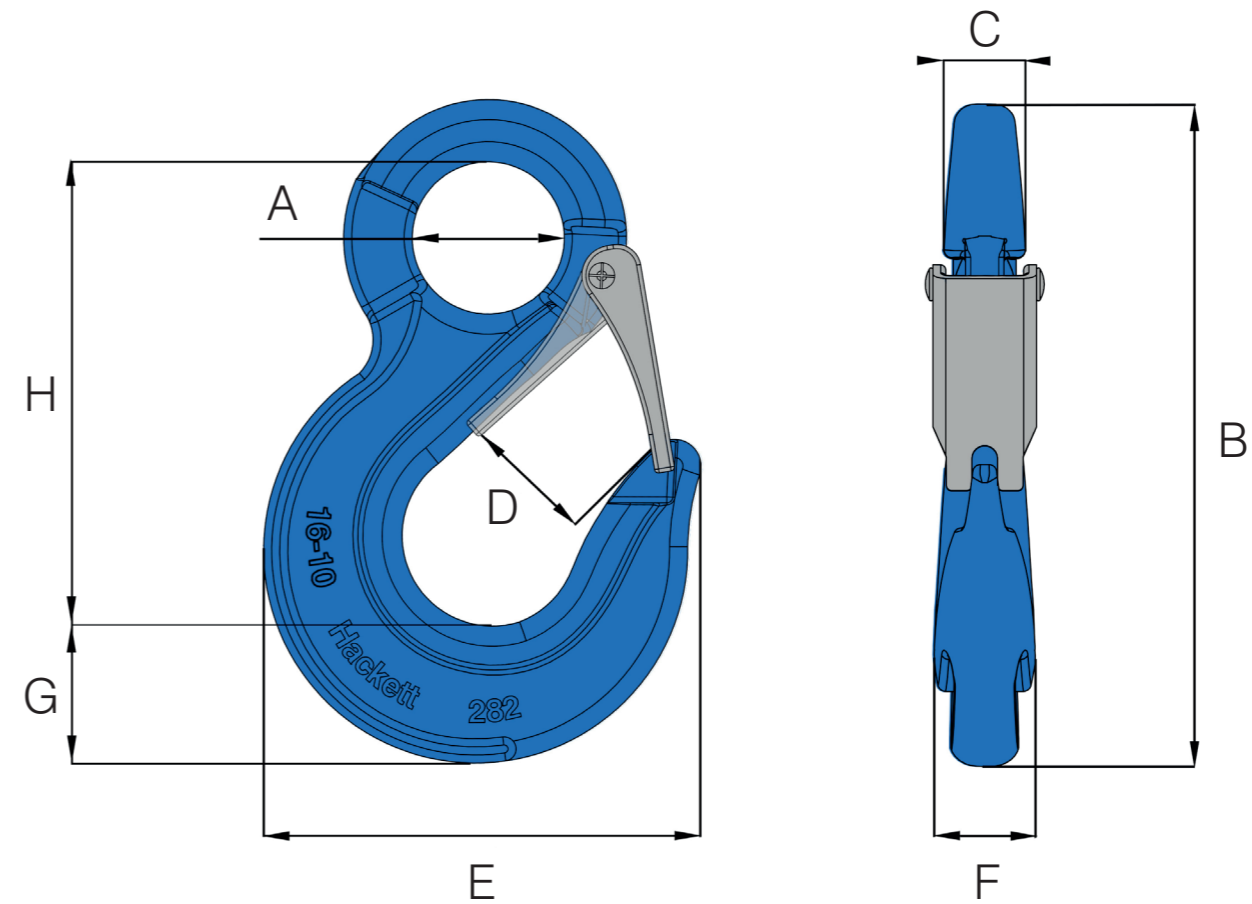
Product sizes: available for chain sizes from 8mm to 32mm and with working load limits from 2.5 tonnes to 40.0 tonnes.

Temperature: operational temperature range of - 40°C to + 200°C without reduction in working load limit.

Material: alloy steel.

Testing: crack detection following heat treatment, and proof load tested to 2.5 times working load limit.

Safety factor: 4 : 1.



Metric Specifications

PART CODE	CHAIN SIZE mm	A mm	B mm	C mm	D mm	E mm	F mm	G mm	H mm	BOX QTY.	WLL tonnes	MASS kg
10-H15-08	8	26.0	144.0	16.0	27.0	86.0	24.0	25.0	108.0	25	2.5	0.66
10-H15-10	10	34.0	190.0	19.0	33.0	103.0	24.0	31.0	143.0	15	4.0	1.22
10-H15-13	13	42.0	227.0	23.0	40.0	135.0	38.0	39.0	172.0	9	6.7	2.43
10-H15-16	16	52.0	257.0	28.5	44.0	161.0	41.5	41.0	195.0	6	10.0	3.65
10-H15-20	20	55.0	298.0	27.0	50.0	190.0	48.0	56.0	215.0	2	16.0	6.20
10-H15-22	22	60.0	330.0	29.0	64.0	214.0	50.0	62.0	239.0	2	19.0	8.50
10-H15-26	26	70.0	376.0	35.0	70.0	245.0	60.0	75.0	265.0	2	26.5	13.60
10-H15-32	32	81.5	458.0	39.0	82.0	270.0	71.0	89.0	331.0	2	40.0	17.50

enquiries@rhtltd.co.uk

www.rhtltd.co.uk

+44 (0) 1953 889998





Hack10 Eye Sling Hook

Hack10 Eye Sling Hook

The Hack10 eye sling hook features a generous hook aperture and bowl, making it a versatile hook type suited for a variety of chain sling applications. This hook features an eye attachment type, making it suitable for use in both chain and wire rope sling assemblies. Manufactured from alloy steel, the Hack10 eye sling hook is 25% stronger than a grade 8 equivalent, delivering a greater working load limit without the need for a larger diameter chain sling.

Standards: designed and manufactured in accordance with EN1677-1, ASTM A952/A952M, and DIN PAS 1061 and suitable for use in chain slings certified to EN818-4.

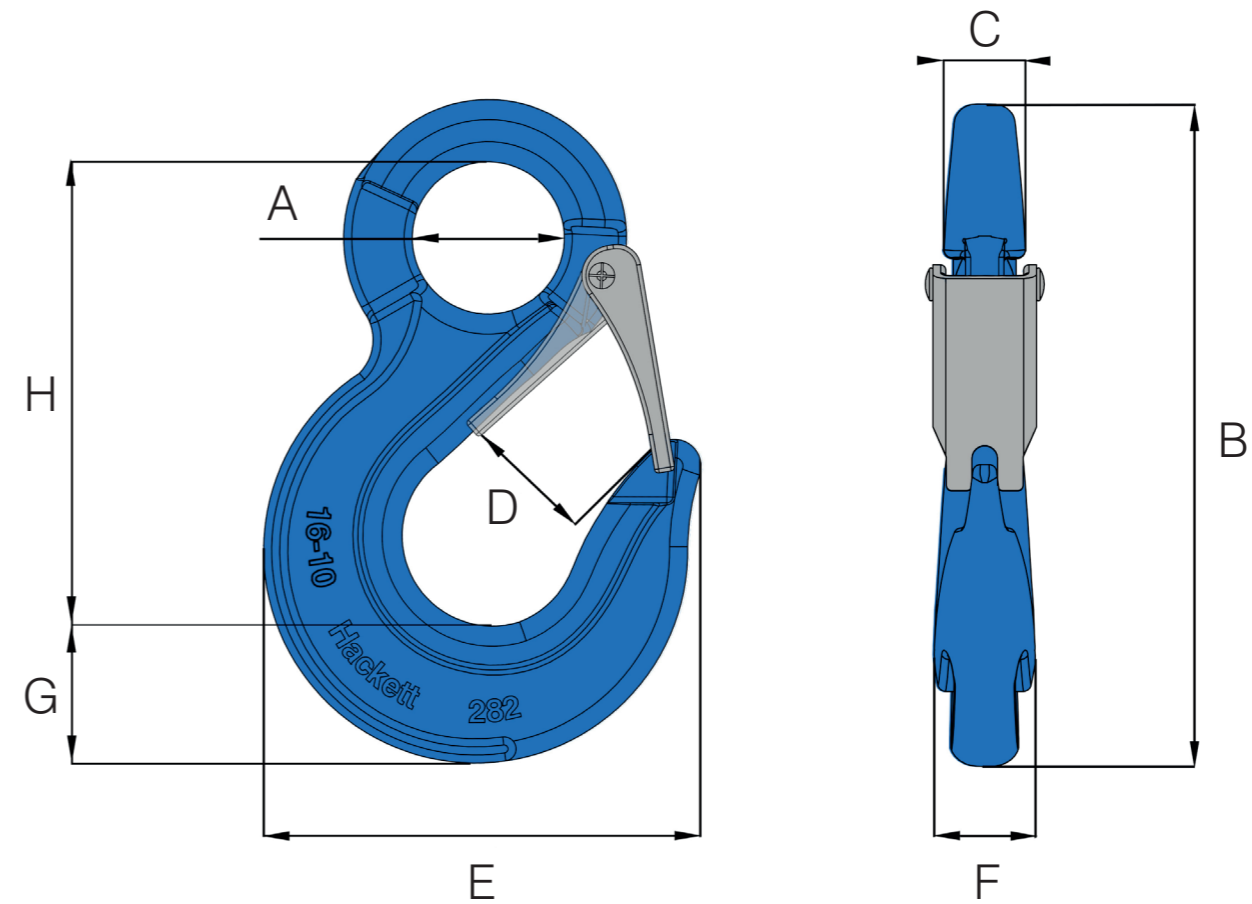
Product sizes: available for chain sizes from 5/16 inch to 1-1/4 inch and with working load limits from 5,700 lbs to 90,400 lbs.

Temperature: operational temperature range of - 40°C to + 200°C without reduction in working load limit.

Material: alloy steel.

Testing: crack detection following heat treatment, and proof load tested to 2.5 times working load limit.

Safety factor: 4 : 1.



Imperial Specifications

PART CODE	CHAIN SIZE inch	A inch	B inch	C inch	D inch	E inch	F inch	G inch	H inch	BOX QTY.	WLL lbs	MASS lbs
10-H15-08	5/16	1.02	5.67	0.63	1.06	3.39	0.94	0.98	4.25	25	5700	1.46
10-H15-10	3/8	1.34	7.48	0.75	1.30	4.06	0.94	1.22	5.63	15	8800	2.69
10-H15-13	1/2	1.65	8.94	0.91	1.57	5.31	1.50	1.54	6.77	9	15000	5.36
10-H15-16	5/8	2.05	10.12	1.12	1.73	6.34	1.63	1.61	7.68	6	22600	8.05
10-H15-20	3/4	2.17	11.73	1.06	1.97	7.48	1.89	2.20	8.46	2	35300	13.67
10-H15-22	7/8	2.36	12.99	1.14	2.52	8.43	1.97	2.44	9.41	2	42700	18.74
10-H15-26	1	2.76	14.80	1.38	2.76	9.65	2.36	2.95	10.43	2	59700	29.98
10-H15-32	1-1/4	3.21	18.03	1.54	3.23	10.63	2.80	3.50	13.03	2	90400	38.58

enquiries@rhtltd.co.uk

www.rhtltd.co.uk

+44 (0) 1953 889998

