



Hack10 Eye Self Locking Hook

Hack10 Eye Self Locking Hook

The Hack10 eye self locking hook incorporates a special latch mechanism that locks itself automatically when it comes under load. Manual interaction of the latch trigger then allows disengagement of the locking mechanism once the load is relieved. It also features an eye attachment type, making it suitable for use in both chain and wire rope assemblies. Manufactured from alloy steel, the Hack10 eye self locking hook is 25% stronger than a grade 8 equivalent, delivering a greater working load limit without the need for a larger diameter chain sling.

Standards: designed and manufactured in accordance with EN1677-1, ASTM A952/A952M, and DIN PAS 1061 and suitable for use in chain slings certified to EN818-4.

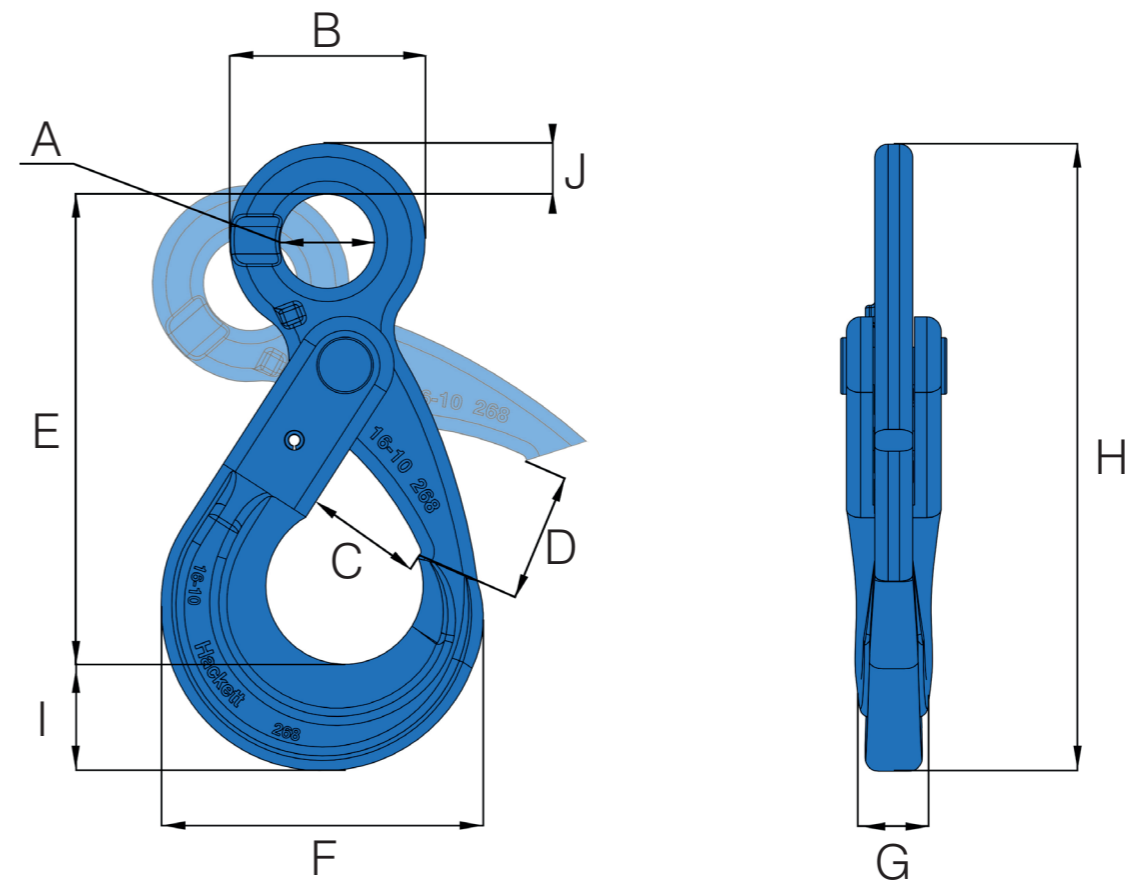
Product sizes: available for chain sizes from 6mm to 32mm and with working load limits from 1.4 tonnes to 40.0 tonnes.

Temperature: operational temperature range of - 40°C to + 200°C without reduction in working load limit.

Material: alloy steel.

Testing: crack detection following heat treatment, and proof load tested to 2.5 times working load limit.

Safety factor: 4 : 1.



Metric Specifications

PART CODE	CHAIN SIZE mm	A mm	B mm	C mm	D mm	E mm	F mm	G mm	H mm	I mm	J mm	BOX QTY.	WLL tonnes	MASS kg
10-H13-08	8	27.0	51.0	36.0	40.0	137.0	90.0	20.0	175.0	26.0	12.0	25	2.5	0.90
10-H13-10	10	34.5	64.5	45.0	46.0	170.0	108.0	26.0	212.0	27.0	15.0	14	4.0	1.50
10-H13-13	13	40.0	80.0	53.6	66.0	209.0	137.5	32.5	269.0	40.0	20.0	6	6.7	2.70
10-H13-16	16	50.0	104.0	61.0	75.0	256.0	170.5	38.0	333.0	50.0	27.0	3	10.0	5.70
10-H13-20	20	60.0	124.0	76.5	80.0	277.0	191.5	50.0	368.5	62.0	30.0	2	16.0	8.70
10-H13-22	22	70.0	139.0	76.0	100.0	319.0	205.0	52.0	417.0	65.0	33.0	2	19.0	11.20
10-H13-26	26	76.0	154.0	99.0	107.0	370.0	251.0	60.0	489.0	81.0	38.0	1	26.5	20.50
10-H13-32	32	95.0	195.0	135.0	142.0	469.0	329.0	75.0	620.0	101.0	50.0	1	40.0	40.35

enquiries@rhtltd.co.uk

www.rhtltd.co.uk

+44 (0) 1953 889998





Hack10 Eye Self Locking Hook

Hack10 Eye Self Locking Hook

The Hack10 eye self locking hook incorporates a special latch mechanism that locks itself automatically when it comes under load. Manual interaction of the latch trigger then allows disengagement of the locking mechanism once the load is relieved. It also features an eye attachment type, making it suitable for use in both chain and wire rope assemblies. Manufactured from alloy steel, the Hack10 eye self locking hook is 25% stronger than a grade 8 equivalent, delivering a greater working load limit without the need for a larger diameter chain sling.

Standards: designed and manufactured in accordance with EN1677-1, ASTM A952/A952M, and DIN PAS 1061 and suitable for use in chain slings certified to EN818-4.

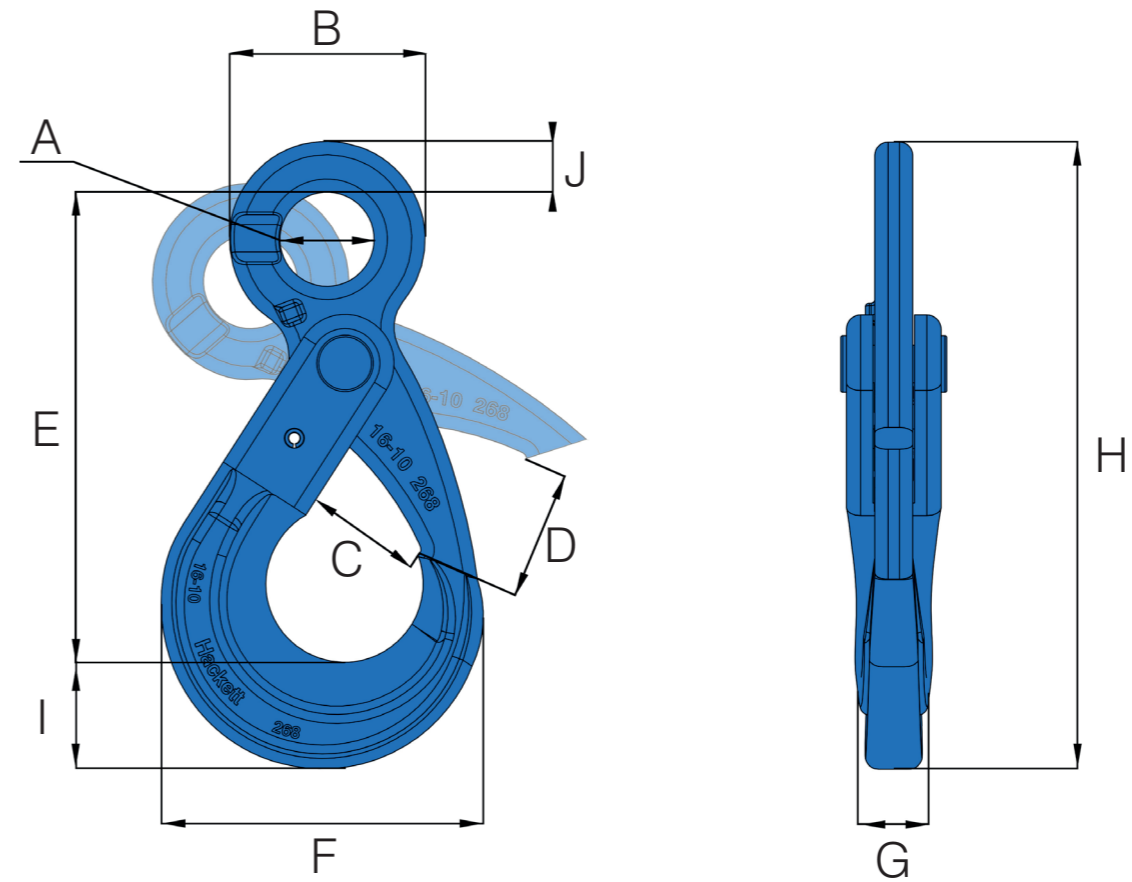
Product sizes: available for chain sizes from 5/16 inch to 1-1/4 inch and with working load limits from 5,700 lbs to 90,400 lbs.

Temperature: operational temperature range of - 40°C to + 200°C without reduction in working load limit.

Material: alloy steel.

Testing: crack detection following heat treatment, and proof load tested to 2.5 times working load limit.

Safety factor: 4 : 1.



Imperial Specifications

PART CODE	CHAIN SIZE inch	A inch	B inch	C inch	D inch	E inch	F inch	G inch	H inch	I inch	J inch	BOX QTY.	WLL lbs	MASS lbs
10-H13-08	5/16	1.06	2.01	1.42	1.57	5.39	3.54	0.79	6.89	1.02	0.47	25	5700	1.98
10-H13-10	3/8	1.36	2.54	1.77	1.81	6.69	4.25	1.02	8.35	1.06	0.59	14	8800	3.31
10-H13-13	1/2	1.57	3.15	2.11	2.60	8.23	5.41	1.28	10.59	1.57	0.79	6	15000	5.95
10-H13-16	5/8	1.97	4.09	2.40	2.95	10.08	6.71	1.50	13.11	1.97	1.06	3	22600	12.57
10-H13-20	3/4	2.36	4.88	3.01	3.15	10.91	7.54	1.97	14.51	2.44	1.18	2	35300	19.18
10-H13-22	7/8	2.76	5.47	2.99	3.94	12.56	8.07	2.05	16.42	2.56	1.30	2	42700	24.69
10-H13-26	1	2.99	6.06	3.90	4.21	14.57	9.88	2.36	19.25	3.19	1.50	1	59700	45.19
10-H13-32	1-1/4	3.74	7.68	5.31	5.59	18.46	12.95	2.95	24.41	3.98	1.97	1	90400	88.96

enquiries@rhtltd.co.uk

www.rhtltd.co.uk

+44 (0) 1953 889998

