



Hack10 Eye Grab Hook

Hack10 Eye Grab Hook

The Hack10 eye grab hook is fundamentally used to grab chain. As a result, it is commonly used in lifting applications as a chain shortening device, as well as for lashing. It features an eye attachment type for use with chain via a connector. Manufactured from alloy steel, the Hack10 eye grab hook is 25% stronger than a grade 8 equivalent, delivering a greater working load limit without the need for a larger diameter chain sling.

Standards: designed and manufactured in accordance with EN1677-1, ASTM A952/A952M, and DIN PAS 1061 and suitable for use in chain slings certified to EN818-4.

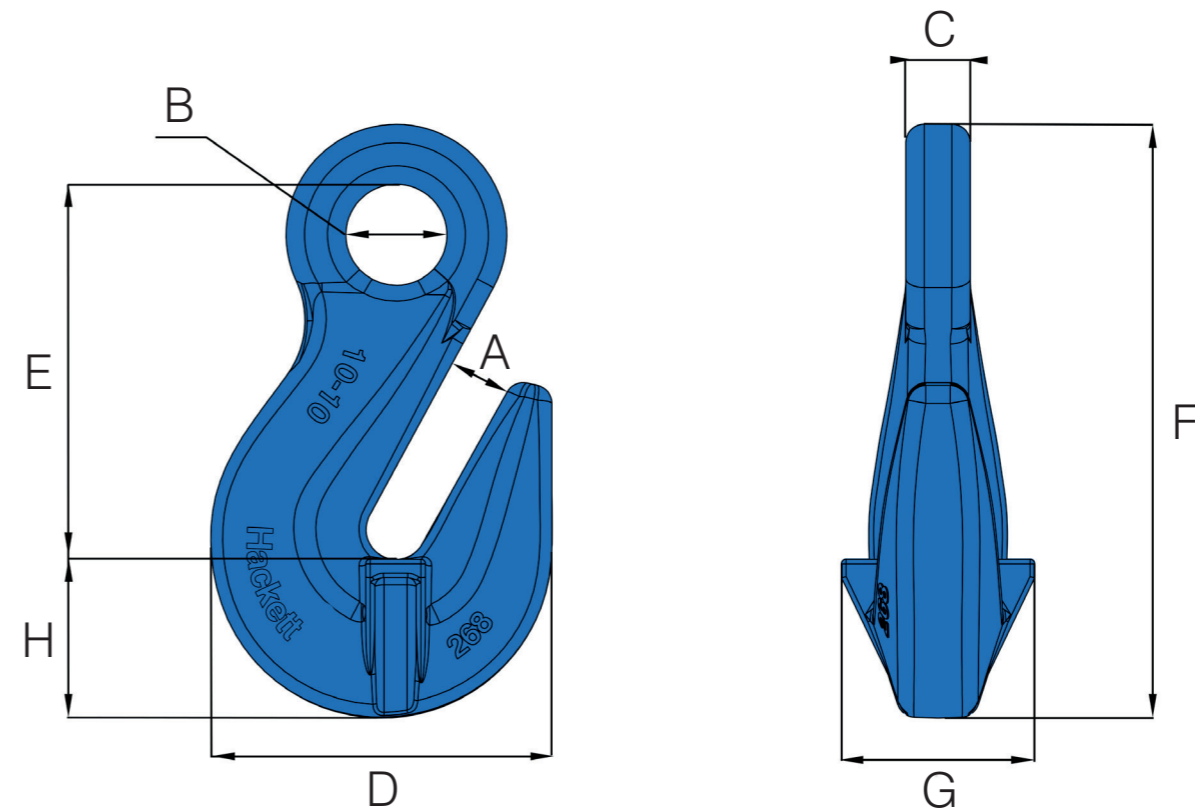
Product sizes: available for chain sizes from 6mm to 32mm and with working load limits from 1.4 tonnes to 40.0 tonnes.

Temperature: operational temperature range of - 40°C to + 200°C without reduction in working load limit.

Material: alloy steel.

Testing: crack detection following heat treatment, and proof load tested to 2.5 times working load limit.

Safety factor: 4 : 1.



Metric Specifications

PART CODE	CHAIN SIZE mm	A mm	B mm	C mm	D mm	E mm	F mm	G mm	H mm	BOX QTY.	WLL tonnes	MASS kg
10-H06-06	6	8.0	13.5	8.0	46.5	46.0	73.0	25.5	20.2	100	1.4	0.15
10-H06-08	8	11.0	17.5	9.5	53.0	61.0	93.0	33.5	22.0	80	2.5	0.30
10-H06-10	10	13.5	22.0	14.0	74.0	85.0	129.0	42.0	31.0	40	4.0	0.79
10-H06-13	13	17.0	27.0	18.5	96.0	104.0	166.0	53.5	47.5	12	6.7	1.67
10-H06-16	16	19.0	36.0	22.0	116.0	119.0	186.0	74.0	48.0	10	10.0	2.74
10-H06-20	20	25.0	44.0	23.0	145.0	146.0	225.0	87.0	58.0	6	16.0	4.72
10-H06-22	22	27.0	48.5	26.0	160.5	165.5	260.5	90.0	72.0	5	19.0	8.20
10-H06-26	26	34.0	52.0	34.0	190.0	204.0	311.0	110.0	79.0	2	26.5	11.35
10-H06-32	32	41.0	64.0	40.0	229.0	246.0	373.0	130.0	95.0	1	40.0	20.65

enquiries@rhtltd.co.uk

www.rhtltd.co.uk

+44 (0) 1953 889998





Hack10 Eye Grab Hook

Hack10 Eye Grab Hook

The Hack10 eye grab hook is fundamentally used to grab chain. As a result, it is commonly used in lifting applications as a chain shortening device, as well as for lashing. It features an eye attachment type for use with chain via a connector. Manufactured from alloy steel, the Hack10 eye grab hook is 25% stronger than a grade 8 equivalent, delivering a greater working load limit without the need for a larger diameter chain sling.

Standards: designed and manufactured in accordance with EN1677-1, ASTM A952/A952M, and DIN PAS 1061 and suitable for use in chain slings certified to EN818-4.

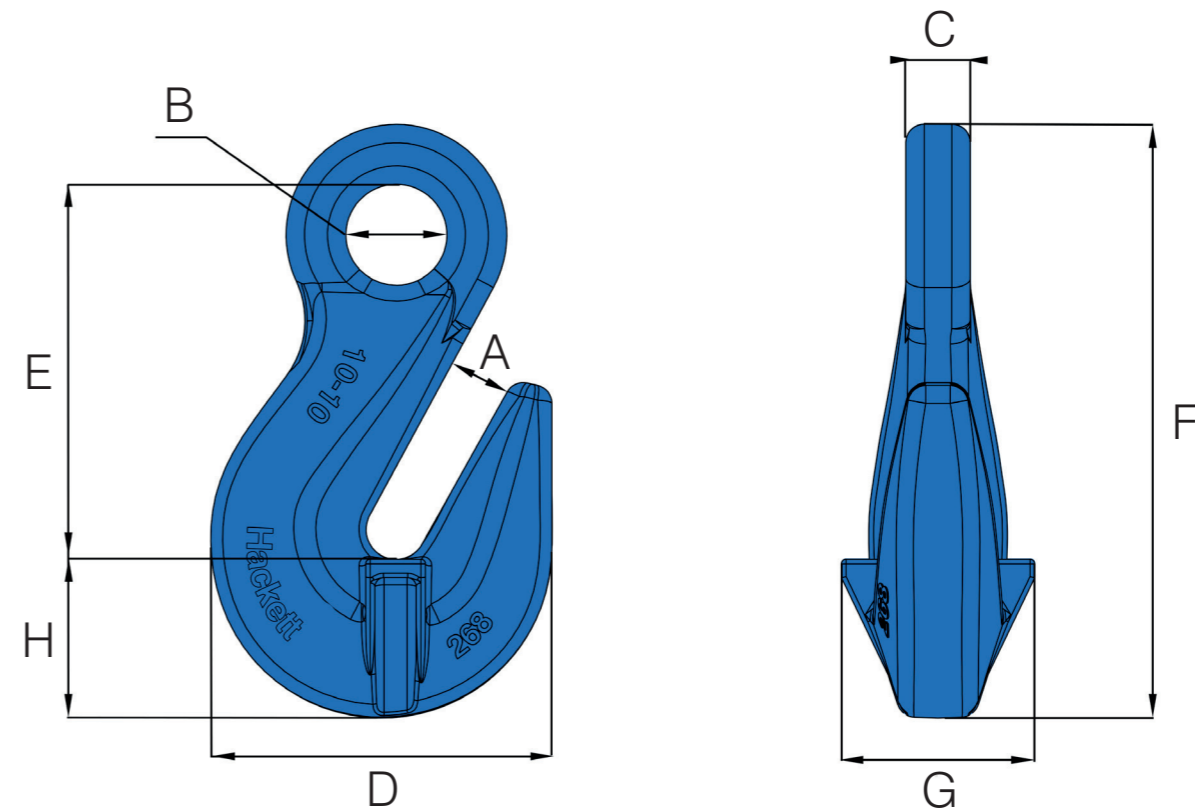
Product sizes: available for chain sizes from 7/32 inch to 1-1/4 inch and with working load limits from 3,200 lbs to 90,400 lbs.

Temperature: operational temperature range of - 40°C to + 200°C without reduction in working load limit.

Material: alloy steel.

Testing: crack detection following heat treatment, and proof load tested to 2.5 times working load limit.

Safety factor: 4 : 1.



Imperial Specifications

PART CODE	CHAIN SIZE inch	A inch	B inch	C inch	D inch	E inch	F inch	G inch	H inch	BOX QTY.	WLL lbs	MASS lbs
10-H06-06	7/32	0.31	0.53	0.31	1.83	1.81	2.87	1.00	0.80	100	3200	0.33
10-H06-08	5/16	0.43	0.69	0.37	2.09	2.40	3.66	1.32	0.87	80	5700	0.66
10-H06-10	3/8	0.53	0.87	0.55	2.91	3.35	5.08	1.65	1.22	40	8800	1.74
10-H06-13	1/2	0.67	1.06	0.73	3.78	4.09	6.54	2.11	1.87	12	15000	3.68
10-H06-16	5/8	0.75	1.42	0.87	4.57	4.69	7.32	2.91	1.89	10	22600	6.04
10-H06-20	3/4	0.98	1.73	0.91	5.71	5.75	8.86	3.43	2.28	6	35300	10.41
10-H06-22	7/8	1.06	1.91	1.02	6.32	6.52	10.26	3.54	2.83	5	42700	18.08
10-H06-26	1	1.34	2.05	1.34	7.48	8.03	12.24	4.33	3.11	2	59700	25.02
10-H06-32	1-1/4	1.61	2.52	1.57	9.02	9.69	14.69	5.12	3.74	1	90400	45.53

enquiries@rhtltd.co.uk

www.rhtltd.co.uk

+44 (0) 1953 889998

