

Hack8 Eye Grab Hook

The Hack8 eye grab hook is fundamentally used to grab chain. As a result, it is commonly used in lifting applications as a chain shortening device, as well as for lashing. It features an eye attachment type for use with chain via a connector. Manufactured from alloy steel, the Hack8 eye grab hook delivers an excellent balance between toughness and ductility.

Standards: designed and manufactured in accordance with EN1677-1 and suitable for use in chain slings certified to EN818-4.

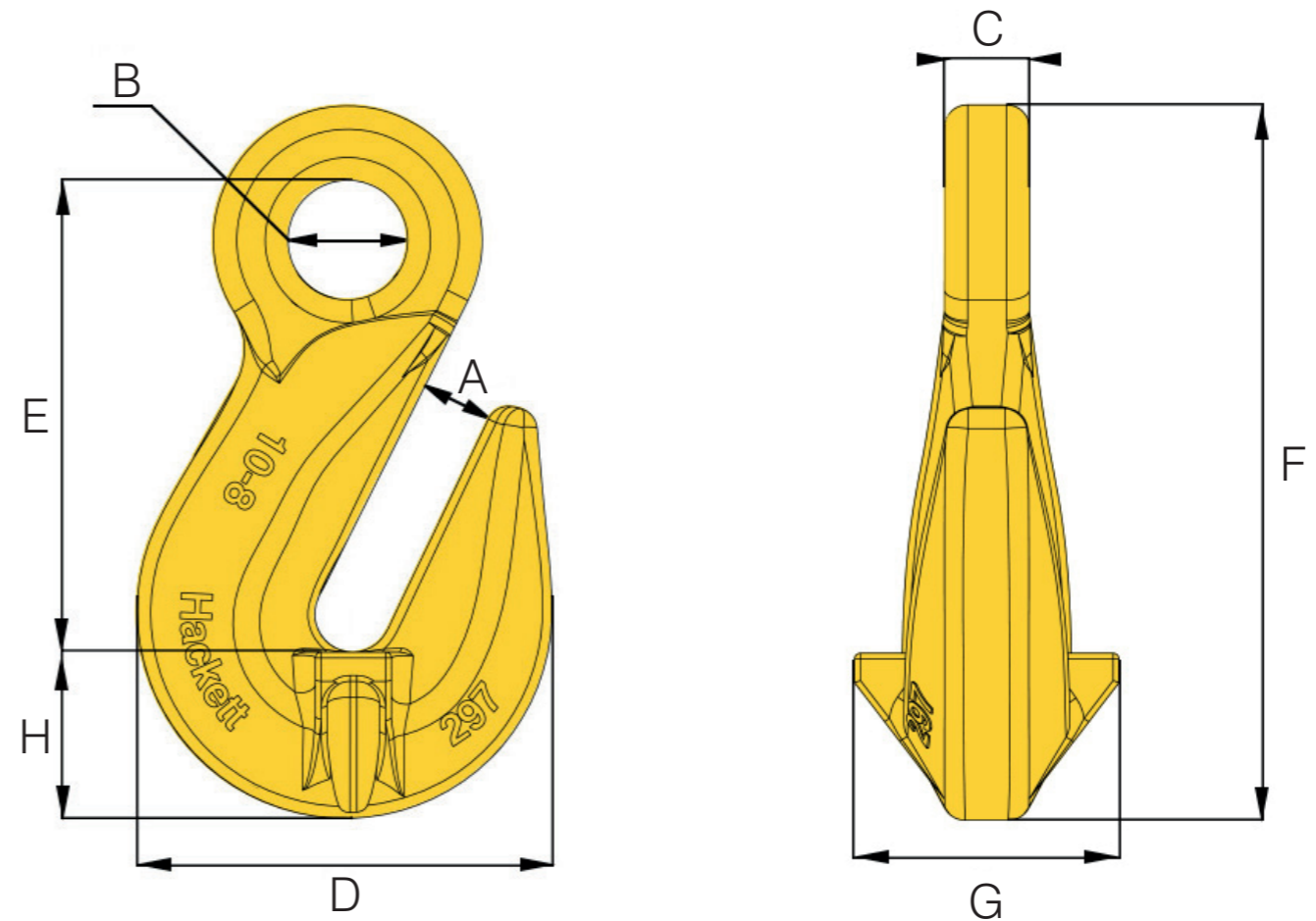
Product sizes: available for chain sizes from 7/8mm to 32mm and with working load limits from 2.0 tonnes to 31.5 tonnes.

Temperature: operational temperature range of - 40°C to + 200°C without reduction in working load limit.

Material: alloy steel.

Testing: crack detection following heat treatment, and proof load tested to 2.5 times working load limit.

Safety factor: 4 : 1.



Specifications

Part Code	Chain Size mm	A mm	B mm	C mm	D mm	E mm	F mm	G mm	H mm	Box Qty.	WLL tonnes	Mass kg
8-H06-08	7/8	10.8	18.0	9.5	53.0	60.0	93.0	30.5	21.5	80	2.00	0.35
8-H06-10	10	13.0	20.5	14.0	71.0	79.8	122.0	46.0	29.0	30	3.15	0.65
8-H06-13	13	16.5	26.0	16.0	95.0	99.7	158.0	57.5	42.8	15	5.30	1.34
8-H06-16	16	19.0	30.5	20.0	105.0	106.5	169.0	72.0	44.5	10	8.00	2.10
8-H06-20	20	24.0	37.5	25.0	134.0	140.2	219.0	74.0	56.0	4	12.50	4.00
8-H06-22	22	28.0	44.0	26.0	160.0	165.0	259.0	90.0	68.0	2	15.00	6.40
8-H06-26	26	30.0	49.0	35.5	171.0	197.0	306.0	110.0	77.0	2	21.20	10.60
8-H06-32	32	40.0	64.0	42.3	221.0	246.0	373.0	130.0	90.0	1	31.50	19.40

Hack8 Eye Grab Hook

The Hack8 eye grab hook is fundamentally used to grab chain. As a result, it is commonly used in lifting applications as a chain shortening device, as well as for lashing. It features an eye attachment type for use with chain via a connector. Manufactured from alloy steel, the Hack8 eye grab hook delivers an excellent balance between toughness and ductility.

Standards: designed and manufactured in accordance with EN1677-1 and suitable for use in chain slings certified to EN818-4.

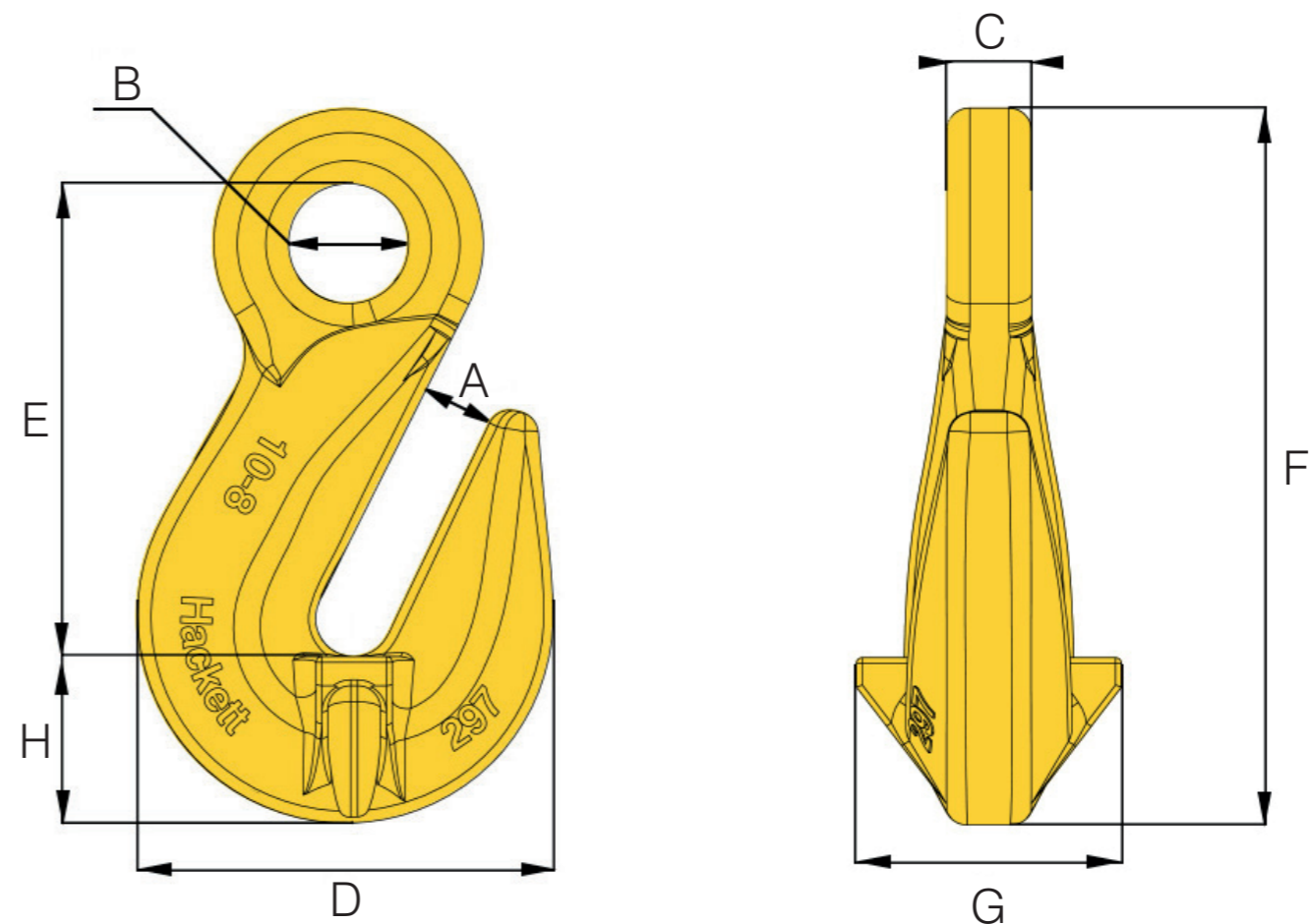
Product sizes: available for chain sizes from 9/32 - 5/16 inch to 1-1/4 inch and with working load limits from 4,500 lbs to 72,300 lbs.

Temperature: operational temperature range of -40°F to +392°F (-40°C to + 200°C) without reduction in working load limit.

Material: alloy steel.

Testing: crack detection following heat treatment, and proof load tested to 2.5 times working load limit.

Safety factor: 4 : 1.



Specifications

Part Code	Chain Size inch	A inch	B inch	C inch	D inch	E inch	F inch	G inch	H inch	Box Qty.	WLL lbs	Mass lbs
8-H06-08	9/32 - 5/16	0.43	0.71	0.37	2.09	2.36	3.66	1.20	0.85	80	4500	0.77
8-H06-10	3/8	0.51	0.81	0.55	2.80	3.14	4.80	1.81	1.14	30	7100	1.43
8-H06-13	1/2	0.65	1.02	0.63	3.74	3.93	6.22	2.26	1.69	15	12000	2.95
8-H06-16	5/8	0.75	1.20	0.79	4.13	4.19	6.65	2.83	1.75	10	18100	4.63
8-H06-20	3/4	0.94	1.48	0.98	5.28	5.52	8.62	2.91	2.20	4	28300	8.82
8-H06-22	7/8	1.10	1.73	1.02	6.30	6.50	10.20	3.54	2.68	2	34200	14.11
8-H06-26	1	1.18	1.93	1.40	6.73	7.76	12.05	4.33	3.03	2	47700	23.37
8-H06-32	1-1/4	1.57	2.52	1.67	8.70	9.69	14.69	5.12	3.54	1	72300	42.77



Hack8 Eye Grab Hook

The Hack8 eye grab hook is fundamentally used to grab chain. As a result, it is commonly used in lifting applications as a chain shortening device, as well as for lashing. It features an eye attachment type for use with chain via a connector. Manufactured from alloy steel, the Hack8 eye grab hook delivers an excellent balance between toughness and ductility.

Standards: designed and manufactured in accordance with EN1677-1 and suitable for use in chain slings certified to EN818-4.

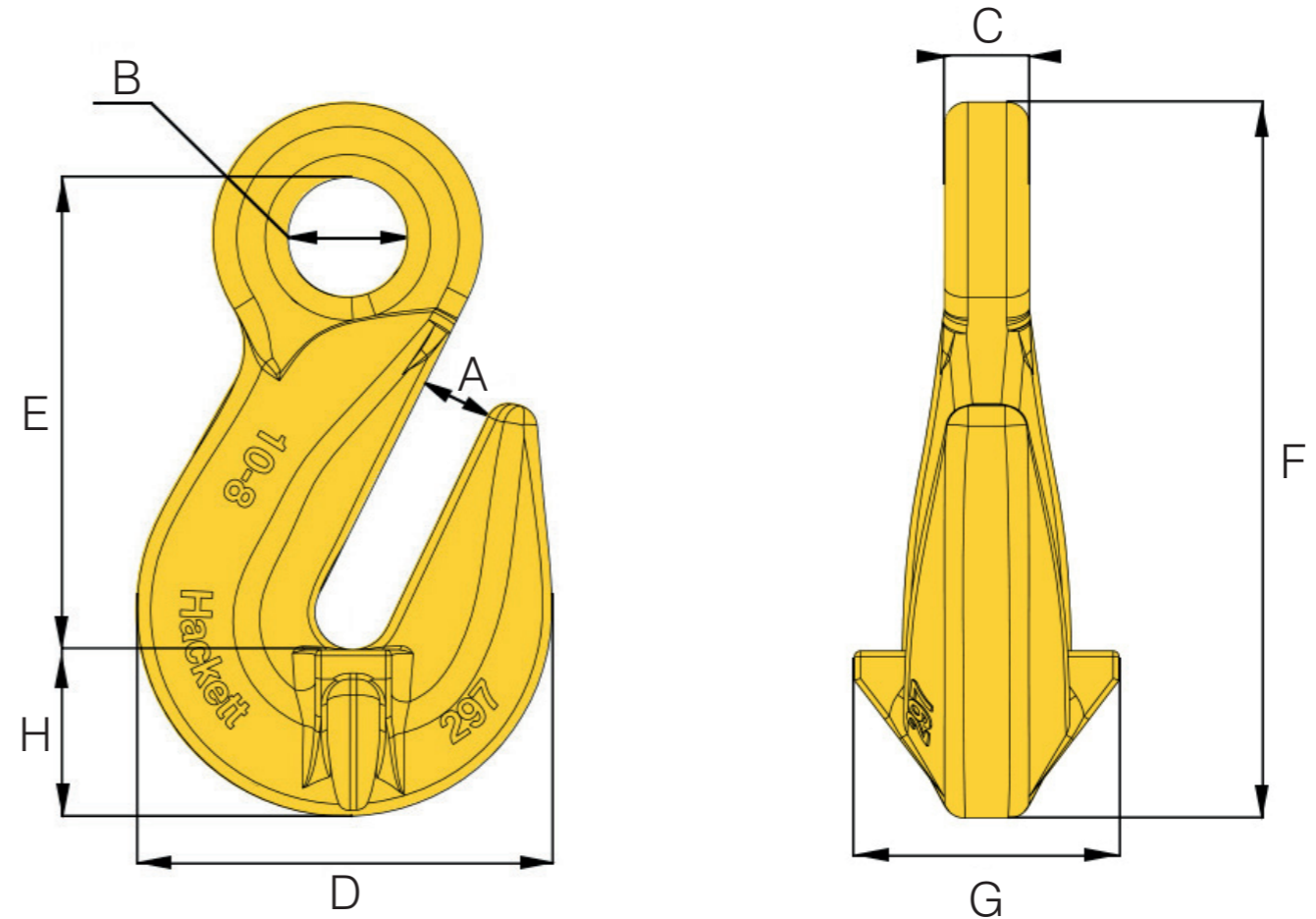
Product sizes: available for chain sizes from 7/8mm to 32mm and with working load limits from 2.0 tonnes to 31.5 tonnes.

Temperature: operational temperature range of - 40°C to + 200°C without reduction in working load limit.

Material: alloy steel.

Testing: crack detection following heat treatment, and proof load tested to 2.5 times working load limit.

Safety factor: 4 : 1.



Specifications

Part Code	Chain Size mm	A mm	B mm	C mm	D mm	E mm	F mm	G mm	H mm	Box Qty.	WLL tonnes	Mass kg
8-H06-08	7/8	10.8	18.0	9.5	53.0	60.0	93.0	30.5	21.5	80	2.00	0.35
8-H06-10	10	13.0	20.5	14.0	71.0	79.8	122.0	46.0	29.0	30	3.15	0.65
8-H06-13	13	16.5	26.0	16.0	95.0	99.7	158.0	57.5	42.8	15	5.30	1.34
8-H06-16	16	19.0	30.5	20.0	105.0	106.5	169.0	72.0	44.5	10	8.00	2.10
8-H06-20	20	24.0	37.5	25.0	134.0	140.2	219.0	74.0	56.0	4	12.50	4.00
8-H06-22	22	28.0	44.0	26.0	160.0	165.0	259.0	90.0	68.0	2	15.00	6.40
8-H06-26	26	30.0	49.0	35.5	171.0	197.0	306.0	110.0	77.0	2	21.20	10.60
8-H06-32	32	40.0	64.0	42.3	221.0	246.0	373.0	130.0	90.0	1	31.50	19.40



Hack8 Eye Grab Hook

Hack8 Eye Grab Hook

The Hack8 eye grab hook is fundamentally used to grab chain. As a result, it is commonly used in lifting applications as a chain shortening device, as well as for lashing. It features an eye attachment type for use with chain via a connector. Manufactured from alloy steel, the Hack8 eye grab hook delivers an excellent balance between toughness and ductility.

Standards: designed and manufactured in accordance with EN1677-1 and suitable for use in chain slings certified to EN818-4.

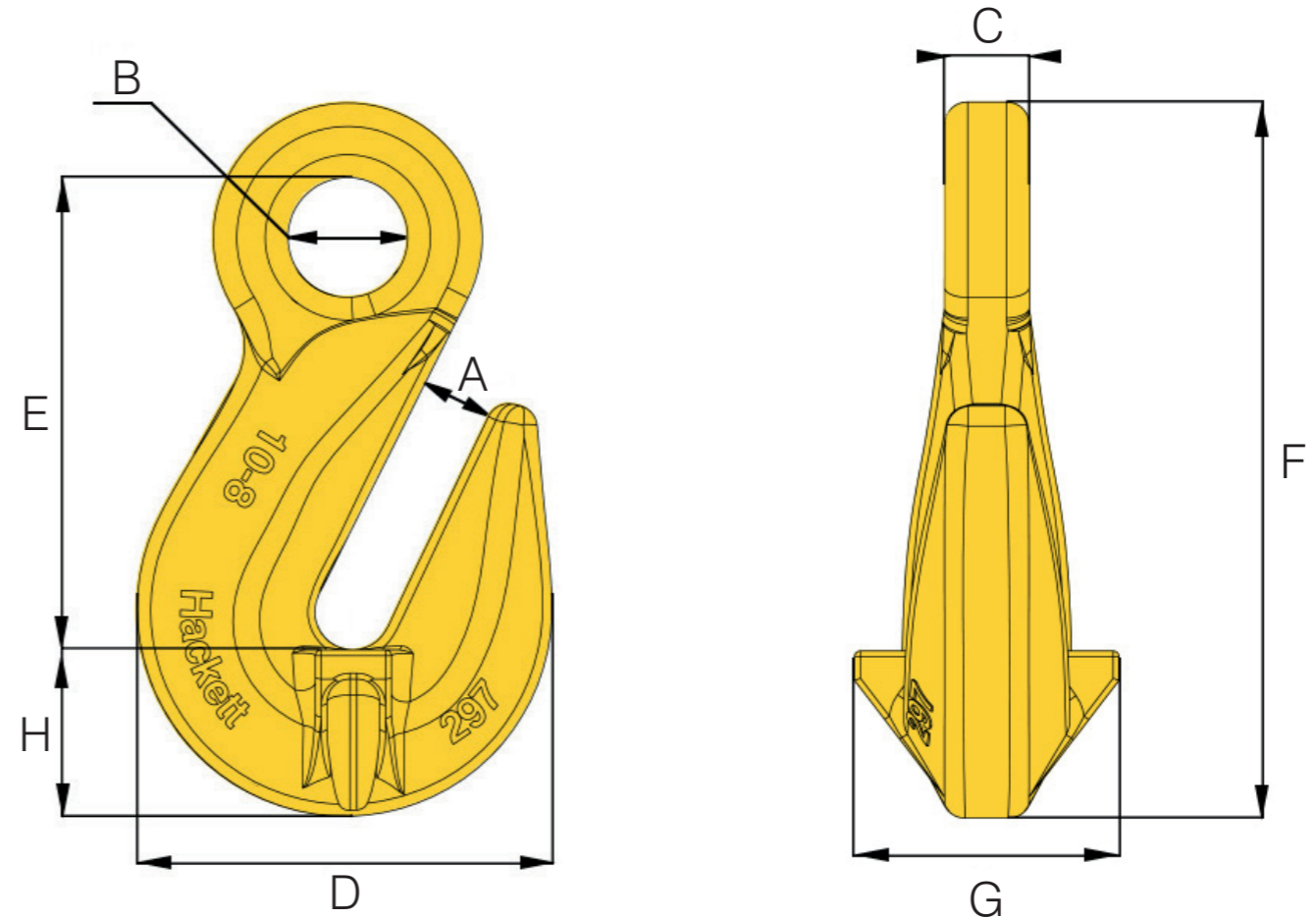
Product sizes: available for chain sizes from 1/4 - 5/16 inch to 1-1/4 inch and with working load limits from 4,500 lbs to 72,300 lbs.

Temperature: operational temperature range of -40°F to +392°F (-40°C to + 200°C) without reduction in working load limit.

Material: alloy steel.

Testing: crack detection following heat treatment, and proof load tested to 2.5 times working load limit.

Safety factor: 4 : 1.



Specifications

Part Code	Chain Size inch	A inch	B inch	C inch	D inch	E inch	F inch	G inch	H inch	Box Qty.	WLL lbs	Mass lbs
8-H06-08	1/4 - 5/16	0.43	0.71	0.37	2.09	2.36	3.66	1.20	0.85	80	4500	0.77
8-H06-10	3/8	0.51	0.81	0.55	2.80	3.14	4.80	1.81	1.14	30	7100	1.43
8-H06-13	1/2	0.65	1.02	0.63	3.74	3.93	6.22	2.26	1.69	15	12000	2.95
8-H06-16	5/8	0.75	1.20	0.79	4.13	4.19	6.65	2.83	1.75	10	18100	4.63
8-H06-20	3/4	0.94	1.48	0.98	5.28	5.52	8.62	2.91	2.20	4	28300	8.82
8-H06-22	7/8	1.10	1.73	1.02	6.30	6.50	10.20	3.54	2.68	2	34200	14.11
8-H06-26	1	1.18	1.93	1.40	6.73	7.76	12.05	4.33	3.03	2	47700	23.37
8-H06-32	1-1/4	1.57	2.52	1.67	8.70	9.69	14.69	5.12	3.54	1	72300	42.77