

## Hack8 Clevis Shackle

The Hack8 clevis shackle is an incredibly versatile component suitable for a wide variety of lifting and general chain sling applications. This shackle is capable of attachment directly onto chain thanks to its clevis attachment type. Manufactured from alloy steel, the Hack8 clevis shackle delivers an excellent balance between toughness and ductility.

**Standards:** designed and manufactured in accordance with EN1677-1 and suitable for use in chain slings certified to EN818-4.

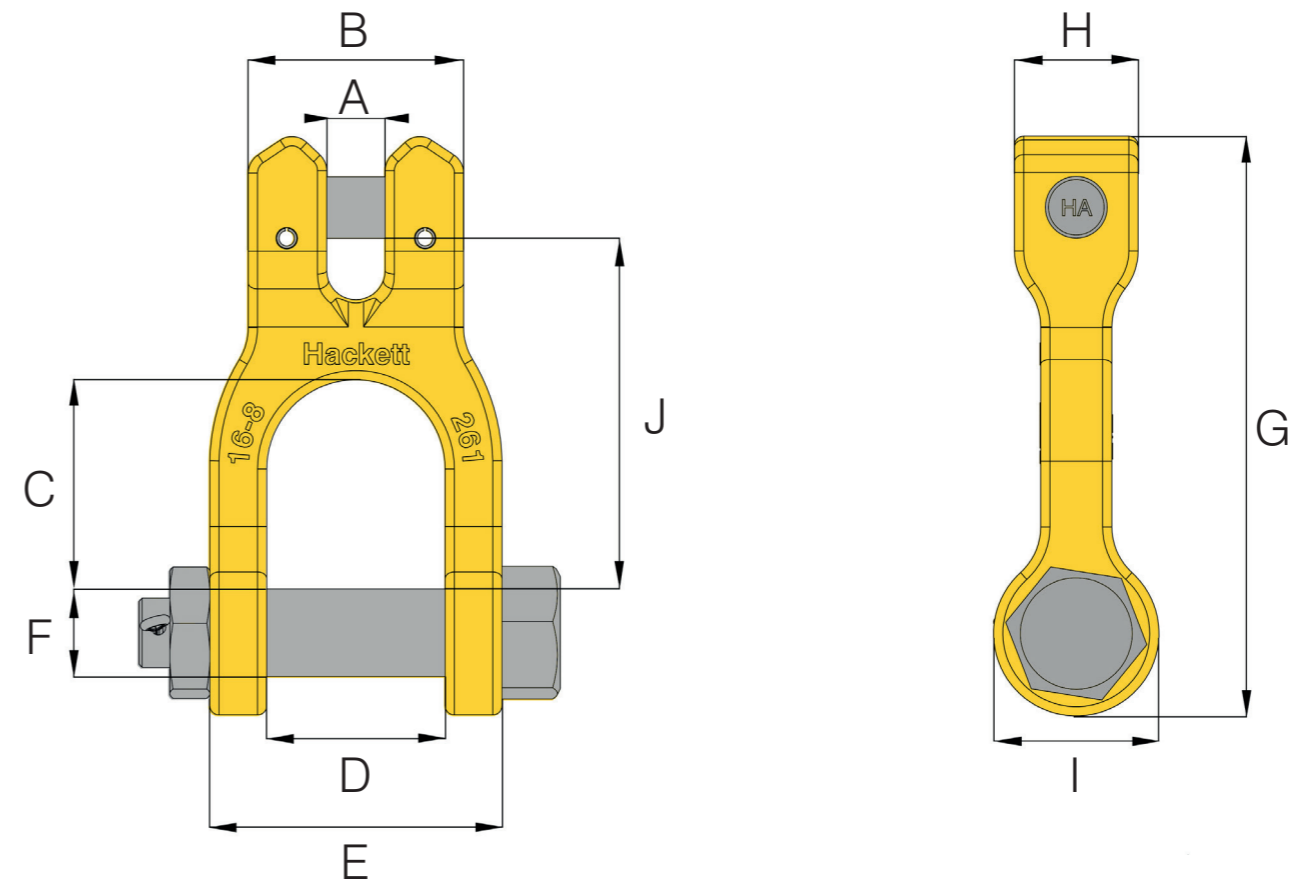
**Product sizes:** available for chain sizes from 7/8mm to 16mm and with working load limits from 2.0 tonnes to 8.0 tonnes.

**Temperature:** operational temperature range of - 40°C to + 200°C without reduction in working load limit.

**Material:** alloy steel.

**Testing:** crack detection following heat treatment, and proof load tested to 2.5 times working load limit.

**Safety factor:** 4 : 1.



## Specifications

| Part Code | Chain Size mm | A mm | B mm | C mm | D mm | E mm | F mm | G mm  | H mm | I mm | J mm  | Box Qty. | WLL tonnes | Mass kg |
|-----------|---------------|------|------|------|------|------|------|-------|------|------|-------|----------|------------|---------|
| 8-H16-08  | 7/8           | 9.0  | 36.0 | 36.3 | 31.0 | 51.0 | 16.0 | 103.5 | 20.0 | 34.0 | 62.0  | 35       | 2.00       | 0.40    |
| 8-H16-10  | 10            | 12.5 | 46.5 | 48.0 | 34.0 | 62.0 | 20.0 | 130.7 | 25.0 | 40.0 | 78.5  | 20       | 3.15       | 0.89    |
| 8-H16-13  | 13            | 15.0 | 59.0 | 64.0 | 49.0 | 83.0 | 22.0 | 160.0 | 31.0 | 43.0 | 98.5  | 18       | 5.30       | 1.51    |
| 8-H16-16  | 16            | 19.0 | 70.0 | 69.5 | 58.0 | 95.0 | 28.5 | 190.5 | 40.0 | 54.2 | 115.0 | 10       | 8.00       | 2.62    |

## Hack8 Clevis Shackle

The Hack8 clevis shackle is an incredibly versatile component suitable for a wide variety of lifting and general chain sling applications. This shackle is capable of attachment directly onto chain thanks to its clevis attachment type. Manufactured from alloy steel, the Hack8 clevis shackle delivers an excellent balance between toughness and ductility.

**Standards:** designed and manufactured in accordance with EN1677-1 and suitable for use in chain slings certified to EN818-4.

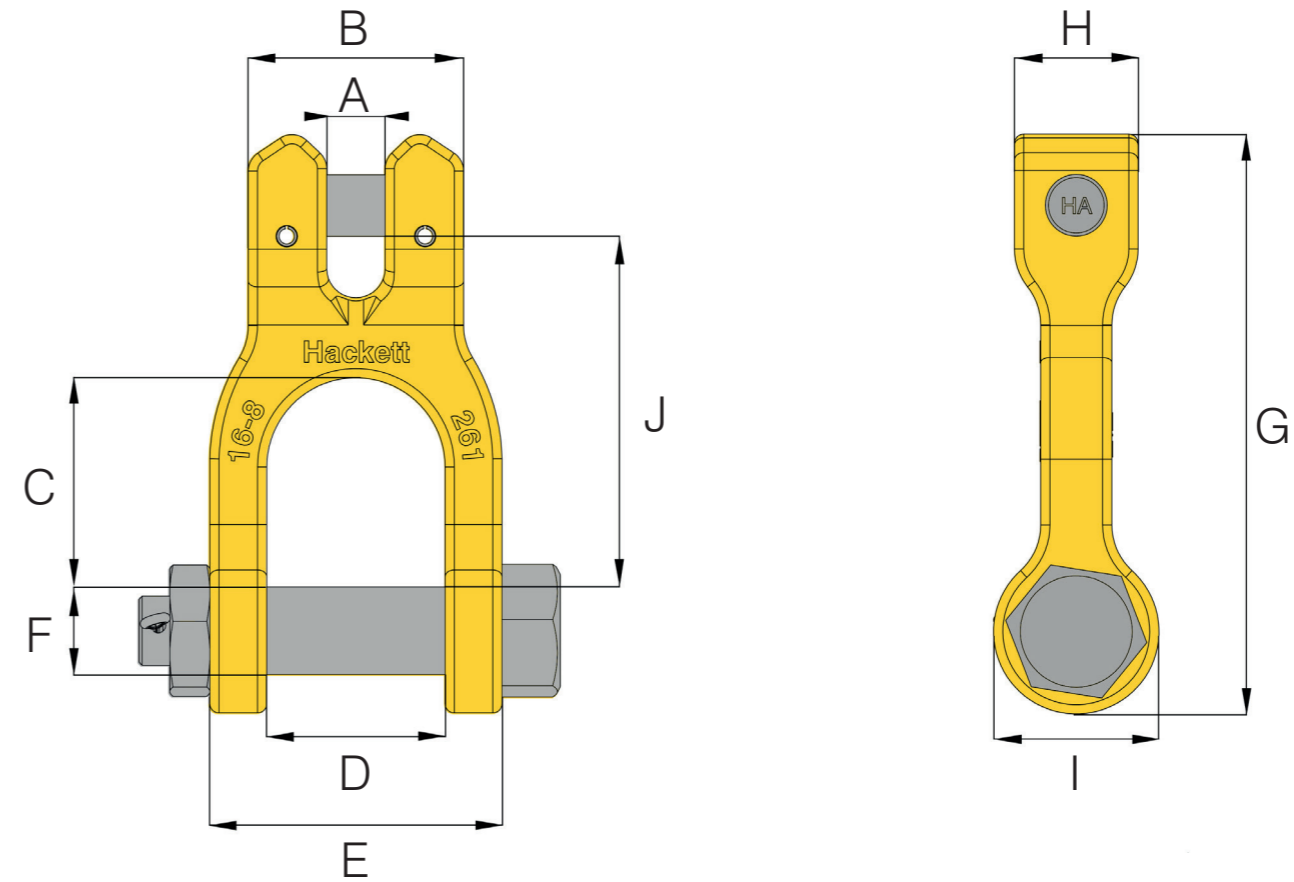
**Product sizes:** available for chain sizes from 9/32 - 5/16 inch to 5/8 inch and with working load limits from 4,500 lbs to 18,100 lbs.

**Temperature:** operational temperature range of -40°F to +392°F (-40°C to + 200°C) without reduction in working load limit.

**Material:** alloy steel.

**Testing:** crack detection following heat treatment, and proof load tested to 2.5 times working load limit.

**Safety factor:** 4 : 1.



## Specifications

| Part Code | Chain Size inch | A inch | B inch | C inch | D inch | E inch | F inch | G inch | H inch | I inch | J inch | Box Qty. | WLL lbs | Mass lbs |
|-----------|-----------------|--------|--------|--------|--------|--------|--------|--------|--------|--------|--------|----------|---------|----------|
| 8-H16-08  | 9/32 - 5/16     | 0.35   | 1.42   | 1.43   | 1.22   | 2.01   | 0.63   | 4.07   | 0.79   | 1.34   | 2.44   | 35       | 4500    | 0.88     |
| 8-H16-10  | 3/8             | 0.49   | 1.83   | 1.89   | 1.34   | 2.44   | 0.79   | 5.15   | 0.98   | 1.57   | 3.09   | 20       | 7100    | 1.96     |
| 8-H16-13  | 1/2             | 0.59   | 2.32   | 2.52   | 1.93   | 3.27   | 0.87   | 6.30   | 1.22   | 1.69   | 3.88   | 18       | 12000   | 3.33     |
| 8-H16-16  | 5/8             | 0.75   | 2.76   | 2.74   | 2.28   | 3.74   | 1.12   | 7.50   | 1.57   | 2.13   | 4.53   | 10       | 18100   | 5.78     |