



Image shows HIGH design

## Yalelift 360

YLIT ATEX – Hand chain hoist with integrated push or with integrated geared trolley

Capacity 500 - 20000 kg

The combination of the Yalelift 360 with a low headroom manual trolley provides even more flexibility in the application.

### Features

- All units of this series up to a capacity of 3000 kg are built with a single chain fall, the min. headroom (Dim. A) has been further reduced. Ideal for applications with low ceilings and limited headroom.
- The approved and almost stepless adjustment system of the trolley enables the simple and quick assembly due to adjusting nuts.
- Trolleys up to 5t capacity are offered for two beam ranges; range A for a flange width of up to 180 mm is standard and covers approx. 80% of all applications. Conversion to range B for beam width up to 300 mm can be easily accomplished.
- The solid bronze wheels (only for MEDIUM and HIGH design) are designed for a max. beam profile incline of 14% (DIN 1025-1), excellent rolling features are guaranteed by prelubricated, encapsulated ball bearings.
- Anti-drop and anti-tilt devices as standard.
- Explosion protected version with MKS spark resistant coating.
- Trolleys equipped with rubber buffers.
- Copper-coated load hooks for MEDIUM design or higher.
- Stainless steel load chain for HIGH design.

### Options

- Adjustable overload protection device.
- Chain container
- Beam locking device to secure the unloaded hoist with integrated trolley in a fixed position on the beam (park position e.g. on ships).
- Additional coating (see page 52-53)



**EXPERIENCE THE  
ADVANTAGE OF 360°**

## Technical data

## Yalelift ITP ATEX BASIC with integrated push trolley II 3G Ex h IIA T4 Gc / II 3D Ex h IIIA T135 °C Dc

Model	Art.-No.	Capacity in kg/ Number of chain falls	Size <sup>1</sup>	Beam flange width b mm	Beam flange thickness t max. mm	Curve radius min. m	Weight <sup>2</sup> kg	Weight <sup>2</sup> with locking device kg
YLITP ATEX 500	N04905029	500/1	A	50 - 180	19	0.9	20	26
YLITP ATEX 1000	N04905030	1000/1	A	50 - 180	19	0.9	27	35
YLITP ATEX 2000	N04905031	2000/1	A	58 - 180	19	1.15	44	52

## Technical data

## Yalelift ITP ATEX MEDIUM with integrated push trolley II 2G Ex h IIB T4 Gb / II 2D Ex h IIIB T135 °C Db

Model	Art.-No.	Capacity in kg/ Number of chain falls	Size <sup>1</sup>	Beam flange width b mm	Beam flange thickness t max. mm	Curve radius min. m	Weight <sup>2</sup> kg	Weight <sup>2</sup> with locking device kg
YLITP ATEX 500	N04905005	500/1	A	50 - 180	19	0.9	20	26
YLITP ATEX 1000	N04905006	1000/1	A	50 - 180	19	0.9	27	35
YLITP ATEX 2000	N04905007	2000/1	A	58 - 180	19	1.15	44	52

## Technical data

## Yalelift ITP ATEX HIGH with integrated push trolley II 2G Ex h IIC T4 Gb / II 2D Ex h IIIC T135 °C Db

Model	Art.-No.	Capacity <sup>3</sup> in kg/ Number of chain falls	Size <sup>1</sup>	Beam flange width b mm	Beam flange thickness t max. mm	Curve radius min. m	Weight <sup>2</sup> kg	Weight <sup>2</sup> with locking device kg
YLITP ATEX 500	N04905053	500/1	A	50 - 180	19	0.9	20	26
YLITP ATEX 1000	N04905054	900/1	A	50 - 180	19	0.9	27	35
YLITP ATEX 2000	N04905055	1500/1	A	58 - 180	19	1.15	44	52

<sup>1</sup>Size B on request

<sup>2</sup>Weight for standard lift 3 m. Other lifting heights available.

<sup>3</sup>Models in HIGH design are already labelled with reduced capacities when delivered.

## INFO

---

Yale hoists and trolleys are not designed for passenger elevation applications and must not be used for this purpose.

## Technical data

## Yalelift ITG ATEX BASIC with integrated geared trolley II 3G Ex h IIA T4 Gc / II 3D Ex h IIIA T135 °C Dc

Model	Art.-No.	Capacity in kg/ Number of chain falls	Size <sup>1</sup>	Beam flange width b mm	Beam flange thickness t max. mm	Curve radius min. m	Weight <sup>2</sup> kg	Weight <sup>2</sup> with locking device kg
YLITG ATEX 500	N04905041	500/1	A	50 - 180	19	0.9	24	31
YLITG ATEX 1000	N04905042	1000/1	A	50 - 180	19	0.9	32	40
YLITG ATEX 2000	N04905043	2000/1	A	58 - 180	19	1.15	49	57
YLITG ATEX 3000	N04905044	3000/1	A	74 - 180	27	1.5	82	91
YLITG ATEX 5000	N04905045	5000/2	A	98 - 180	27	2.0	130	140
YLITG ATEX 10000	N04905046	10000/3	B	125 - 310	40	1.8	on request	on request
YLITG ATEX 20000	N04905047	20000/6	B	180 - 310	40	5.0	on request	on request

## Technical data

## Yalelift ITG ATEX MEDIUM with integrated geared trolley II 2G Ex h IIB T4 Gb / II 2D Ex h IIIB T135 °C Db

Model	Art.-No.	Capacity in kg/ Number of chain falls	Size <sup>1</sup>	Beam flange width b mm	Beam flange thickness t max. mm	Curve radius min. m	Weight <sup>2</sup> kg	Weight <sup>2</sup> with locking device kg
YLITG ATEX 500	N04905015	500/1	A	50 - 180	19	0.9	24	31
YLITG ATEX 1000	N04905016	1000/1	A	50 - 180	19	0.9	32	40
YLITG ATEX 2000	N04905017	2000/1	A	58 - 180	19	1.15	49	57
YLITG ATEX 3000	N04905018	3000/1	A	74 - 180	27	1.5	82	91
YLITG ATEX 5000	N04905019	5000/2	A	98 - 180	27	2.0	130	140
YLITG ATEX 10000	N04905020	10000/3	B	125 - 310	40	1.8	on request	on request
YLITG ATEX 20000	N04905022	20000/6	B	180 - 310	40	5.0	on request	on request

## Technical data

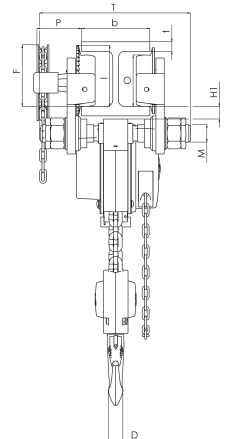
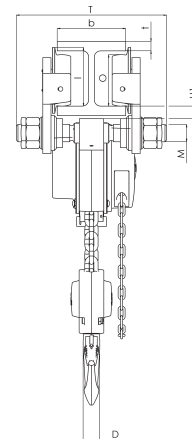
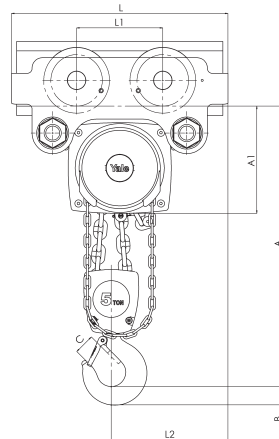
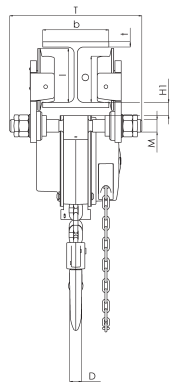
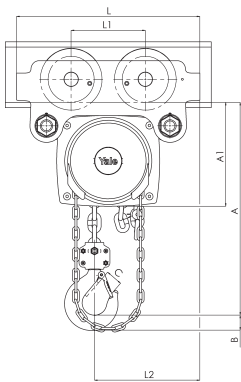
## Yalelift ITG ATEX HIGH with integrated geared trolley II 2G Ex h IIC T4 Gb / II 2D Ex h IIIC T135 °C Db

Model	Art.-No.	Capacity <sup>3</sup> in kg/ Number of chain falls	Size <sup>1</sup>	Beam flange width b mm	Beam flange thickness t max. mm	Curve radius min. m	Weight <sup>2</sup> kg	Weight <sup>2</sup> with locking device kg
YLITG ATEX 500	N04905065	500/1	A	50 - 180	19	0.9	24	31
YLITG ATEX 1000	N04905066	900/1	A	50 - 180	19	0.9	32	40
YLITG ATEX 2000	N04905067	1500/1	A	58 - 180	19	1.15	49	57
YLITG ATEX 3000	N04905068	2500/1	A	74 - 180	27	1.5	82	91
YLITG ATEX 5000	N04905069	5000/2	A	98 - 180	27	2.0	130	140
YLITG ATEX 10000	N04905070	7500/3	B	125 - 310	40	1.8	on request	on request
YLITG ATEX 20000	N04905071	15000/6	B	180 - 310	40	5.0	on request	on request

<sup>1</sup> Size B on request<sup>2</sup> Weight for standard lift 3 m. Other lifting heights available.<sup>3</sup> Models in HIGH design are already labelled with reduced capacities when delivered.

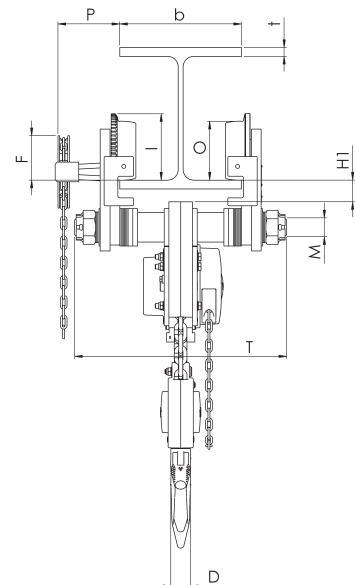
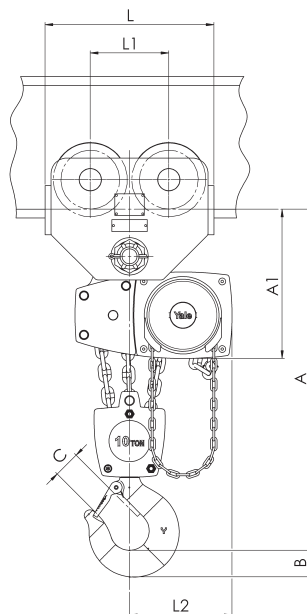
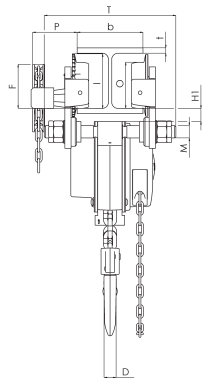
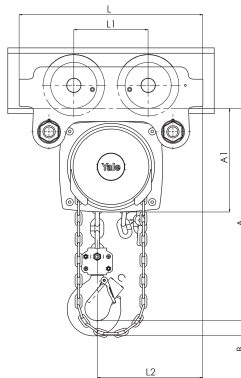
**Dimensions Yalelift IT ATEX**

Model	YLIT ATEX 500	YLIT ATEX 1000	YLIT ATEX 2000	YLIT ATEX 3000	YLIT ATEX 5000	YLIT ATEX 10000
A min., mm	245	272	323	382	550	784
A1, mm	158	178	205.5	252	260.5	380
A2, mm	-	-	-	-	-	-
B, mm	17	22	30	38	45	68
C, mm	24	29	35	40	47	68
D, mm	14	19	22	30	37	50
F (Geared trolley), mm	92	92	91	107	149.5	113
H1, mm	24.5	24	23.5	32	30.5	55
I (Push trolley), mm	71.5	71.5	95.5	131	142.5	169
I (Geared trolley), mm	76.5	76.5	98	132.5	148.5	169
L, mm	270	310	360	445	525	430
L1, mm	130	130	150	180	209	200
L2, mm	159	175	207	256	283	261
M, mm	M 18	M 22	M 27	M 30	M 42	M 48
O, mm	60	60	80	112	125	150
P (Geared trolley), mm	108	110	112	112	117	158
T (Size A), mm	280	290	305	320	364	-
T (Size B), mm	400	410	425	440	484	540



Yalelift ITP ATEX, 500 - 3000 kg, single fall

Yalelift ITP/ITG ATEX, 5000 kg, double fall



Yalelift ITG ATEX, 500 - 3000 kg, single fall

Yalelift ITG ATEX, 10000 kg, three falls