



## TSH Swivel hook screw clamps

Working load limit (WLL) 750 - 5000 kg

The TSH 'swivel hook' screw clamps is suitable for many applications. It is particularly useful for lifting and pulling sheet metal, girders, and steel constructions. The clamps are supplied complete with an alloy safety shackle that allows for pulling at 180° degrees.

Product group: I2

## INFO

The surface of the material to be lifted must not exceed a hardness level of HRC 50/Brinell 480.

Supplied with shackle.



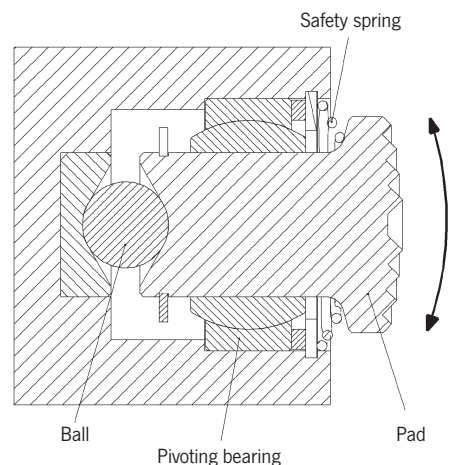
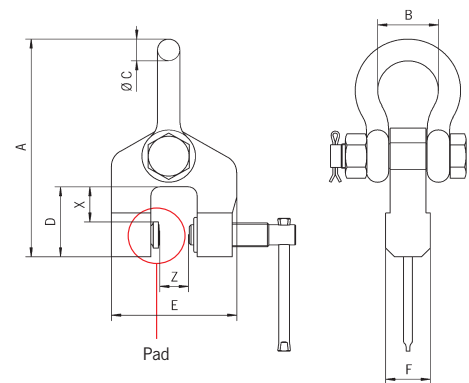
### Technical data TSH

Model	Art.-No.	*WLL kg	Jaw capacity Z mm	*Weight kg
TSH750	N51502400	750	0 - 30	3.1
TSH1500	N51502401	1500	0 - 32	7.4
TSH3000	N51502402	3000	0 - 50	11.4
TSH5000	N51502403	5000	0 - 80	27.6

\*Per clamp

### Dimensions TSH

Model	TSH750	TSH1500	TSH3000	TSH5000
A, mm	190	255	290	470
B, mm	52	65	74	130
Ø C, mm	19	26	30	50
D, mm	43	75	85	135
E, mm	113	130	170	225
F, mm	35	44	50	72
X, mm	15	40	40	50



Functional drawing pivoting pad