

CH Horizontal plate clamps

Industry standard horizontal plate clamps

Working load limit (WLL) 1000 - 10000 kg

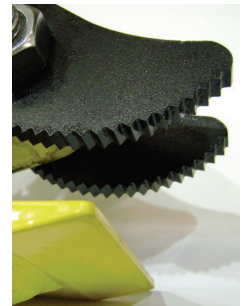
The CH horizontal plate clamps have been specifically designed to be used in pairs for the transportation of plate bundles as well as single plates with a minimum thickness of 5mm.

A pair of clamps used with a two legged chain sling are suitable for small plates. It is recommended to use two pairs in conjunction with a spreader beam for handling larger plates. These units are supplied as standard with a smooth jaw. There is also the option of hardened steel serrated jaws for special applications.

Workmanship and parts

These plate clamps are service-friendly, making it easy to exchange parts, which are readily available. Clamp repairs must be done by a trained person.

Product group: I2



***CH with serrated jaw which can only be used for single plates, NOT bundles.

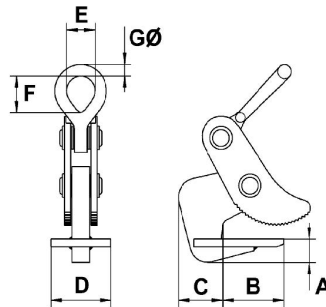
INFO

These units must not be used with endless chain slings.

The angle between the chain legs must not exceed 45° from the vertical.

The capacity applies to a pair of lifting clamps.

Chain slings are not included.



Technical data CH

Model	Art.-No.	*WLL kg	Jaw (Z) Capacity mm	A mm	B mm	C mm	D mm	E mm	F mm	G mm	*Weight kg
CH1**	N4300000041	1000	5 - 32	30	82	60	100	32	44	13	8
CH2	N50501511	2000	5 - 32	30	82	60	100	50	73	18	11
CH2L	N4300000048	2000	20 - 50	30	82	60	100	50	73	18	12
CH4	N50501512	4000	5 - 50	40	112	80	100	64	92	25	17
CH4L	N4300000052	4000	50 - 100	40	112	80	100	64	92	25	23
CH6	N50501513	6000	5 - 75	55	172	100	130	90	130	35	46
CH6L	N4300000056	6000	50 - 125	55	172	100	130	90	130	35	56
CH8	N50501514	8000	5 - 75	55	172	105	130	90	130	35	53
CH8L	N4300000060	8000	50 - 125	55	172	105	130	90	130	35	60
CH10	N50501515	10000	5 - 100	65	215	120	150	114	114	37 x 50	95
CH10L	N50501516	10000	50 - 150	65	215	120	150	114	114	37 x 50	108
CH15	N4300012878	15000	5 - 100	71	230	120	150	114	114	37 x 50	110
CH15L	N4300012879	15000	50 - 150	71	230	120	150	114	114	37 x 50	123
CH20	N4300014489	20000	5 - 100	70	220	118	220	80	120	38 x 60	165
CH20L	N4300014491	20000	50 - 150	70	220	118	220	80	120	38 x 60	172

*Per pair

**NB. CH1 is fitted with a single jaw.

***Serrated jaw option is available on request as a special order