

Yale **UNOplus** Series A Ratchet lever hoist

Capacity 750 - 6000 kg

The *UNOplus - Series A* ratchet lever hoist is the result of further technical development of the *UNOplus*, which has proven itself over many years.

The versatile tool for lifting, pulling and securing of loads is characterised by its compact design, robust stamped steel construction and the smoothly running free chaining device. The further reduced weight optimizes operation, makes the application even more comfortable and the *UNOplus - Series A* to a convenient, versatile device.

Features

- Due to optimized gearing and improved bearings in the housing cover a minimum effort is required to operate the short hand lever.
- Automatic screw-and-disc type load brake with corrosion protected components.
- Standard free chaining device to quickly attach the load or to pull the chain through the hoist in both directions.
- Robust chain guide rollers eliminate fouling and jamming of chain on the load sheave.
- Robust chain end stop
- Comfortable rubber grip provides for extra protection against slippage.
- Alloyed steel link chain with zinc-plated resp. yellow chromated finish, in accordance with national and international standards and regulations.
- Forged suspension and load hooks are made from non-aging, high tensile steel and fitted with robust safety latches.



COMPACT & TRANSPORTABLE
**UNIVERSALLY USABLE
& USER FRIENDLY**
LIGHTWEIGHT & CAN BE USED IN THE
SMALLEST AREAS.



INFO

All ratchet lever hoists with a capacity exceeding 750 kg can be used for load attachment according to EN 12195.

Yale hoists and trolleys are not designed for passenger elevation applications and must not be used for this purpose.



We are pleased to send you our new Atex catalogue in PDF format.

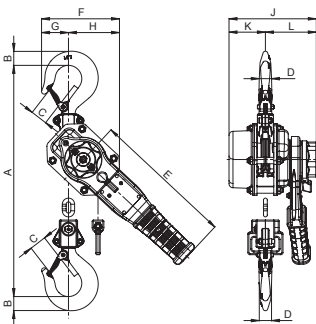
Hoisting Equipment Ratchet lever hoists

Technical data UNOplus-A

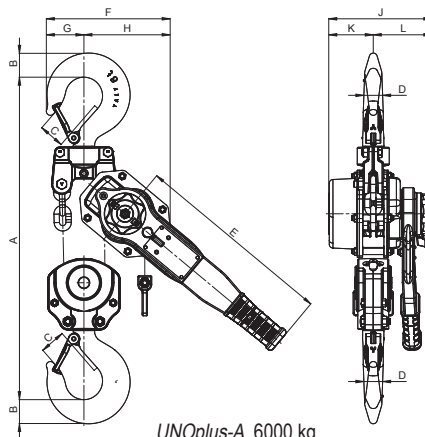
Model	Art.-No.	Capacity kg	Number of chain falls	Chain dimensions d x p in mm/ design	Lift with one full lever turn mm	Handle pull at WLL daN	Weight at standard lift (1.5m) kg
UNOplus-A 750	192049841	750	1	5.6 x 17.1 - T	27	22	6.3
UNOplus-A 1500	192049940	1500	1	7.1 x 21 - T	22	35	9.2
UNOplus-A 3000	192050025	3000	1	10 x 28 - V	20	40	16.9
UNOplus-A 6000	192050579	6000	2	10 x 28 - V	10	43	28.6

Dimensions UNOplus-A

Model	UNOplus-A 750	UNOplus-A 1500	UNOplus-A 3000	UNOplus-A 6000
A min., mm	312	375	445	563
B, mm	20	26	37	45
C, mm	27	31	40	47
D, mm	18	21	28	35
E, mm	267	267	376	376
F, mm	121	146	180	232
G, mm	40	51	57	71
H, mm	81	95	123	161
J, mm	144	164	193	193
K, mm	53	68	83	83
L, mm	91	96	110	110



UNOplus-A, 750 - 3000 kg,
single fall



UNOplus-A, 6000 kg,
double fall

